

**BATH AND SHOWER FAUCET
K-7901**

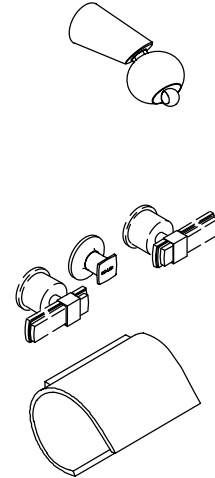
FEATURES

- Brass construction
- Brass valve bodies
- 1/2" quarter-turn washerless ceramic disc valves
- 7-1/2" sheetflow non-diverter spout
- Available with lever or ball handles
- Integral diverter mechanism

CODES/STANDARDS APPLICABLE

Specified model meets or exceeds the following:

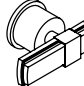
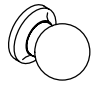
- ASME/ANSI A112.18.1M
- CSA B125

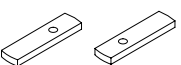
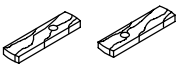


COLORS/FINISHES

- CP Polished Chrome
- PB Polished Brass
- Other Refer to Faucets Price Book for additional finishes

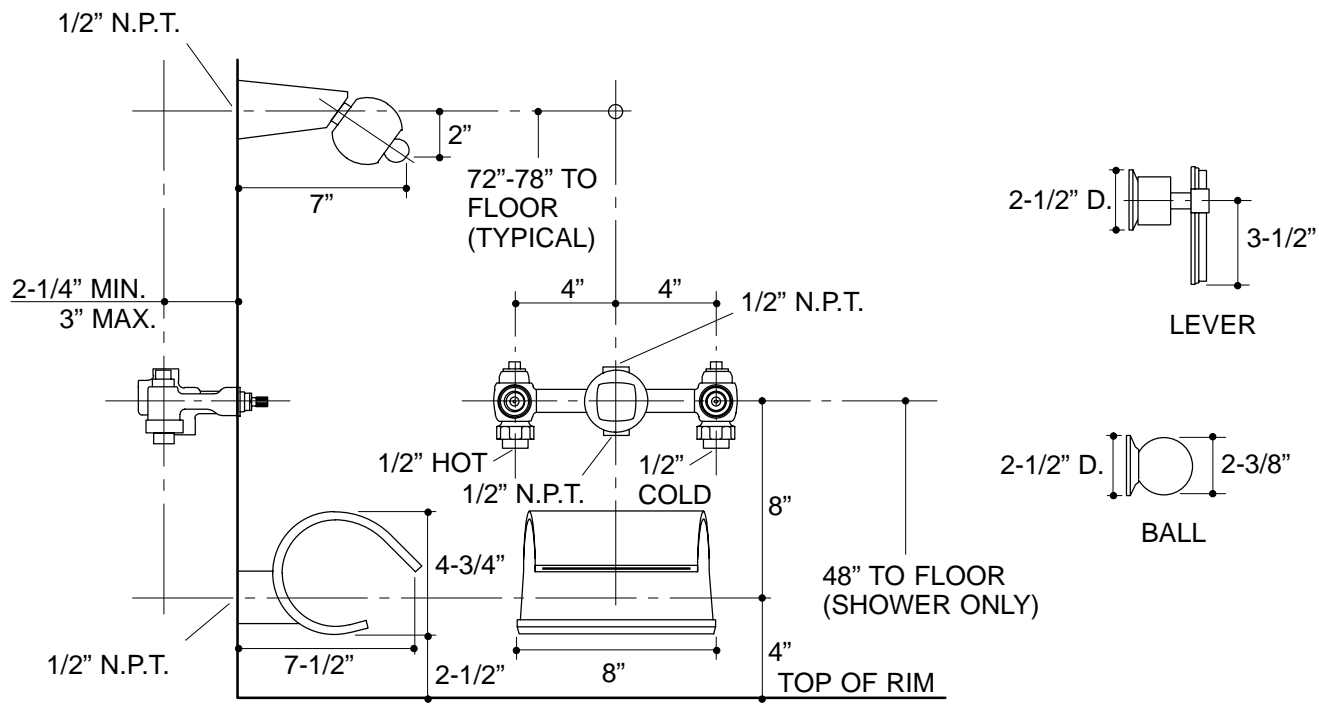
SPECIFIED MODEL:

Model	Description		
K-7901-4	With Lever Handles	<input type="checkbox"/> CP <input type="checkbox"/> PB	
K-7901-8	With Ball Handles		<input type="checkbox"/> CP <input type="checkbox"/> PB

Optional Accessories			
K-9970	Large Lever Handle Metal Insets, Pair	<input type="checkbox"/> CP <input type="checkbox"/> PB <input type="checkbox"/> Other_____	
K-9984	Large Lever Handle Stone Insets, Pair		<input type="checkbox"/> Other_____

PRODUCT SPECIFICATION:

Three-handle bath and shower faucet shall be of brass construction. Faucet shall feature brass valve bodies. Faucet shall feature 1/2" quarter-turn washerless ceramic disc valves, assuring positive handle stop positioning. Product shall include showerhead with arm, 7-1/2" sheetflow non-diverter spout, lever or ball handles, and integral diverter mechanism. Faucet shall be Kohler Model K-7901-_____-_____.



18

PRODUCT DIAGRAM