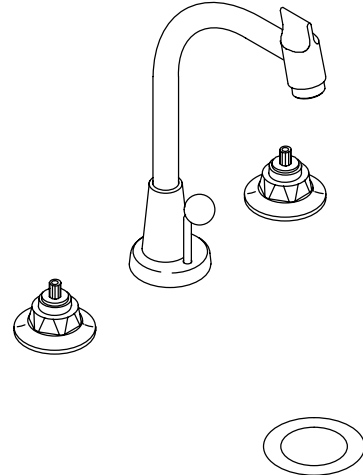


CORALAIS™ DECORATOR SERIES

**LAVATORY BASE FAUCET
K-15817-K**

FEATURES

- Metal construction
- Flexible connections
- Reversible quarter-turn washerless ceramic disc valves
- 5-3/8" Multi-Swivel™ swing spout
- Rotating aerator
- 2.0 gallons per minute
- Pop-up drain with lift rod and tailpiece
- Variety of handle style options
- Ground joint connections



CODES/STANDARDS APPLICABLE






Specified model meets or exceeds the following:

- ASME/ANSI A112.18.1M
- CSA B125
- Energy Policy Act of 1992
- IAPMO/UPC
- NSF 61

COLORS/FINISHES

- CP Polished Chrome
- PB Polished Brass

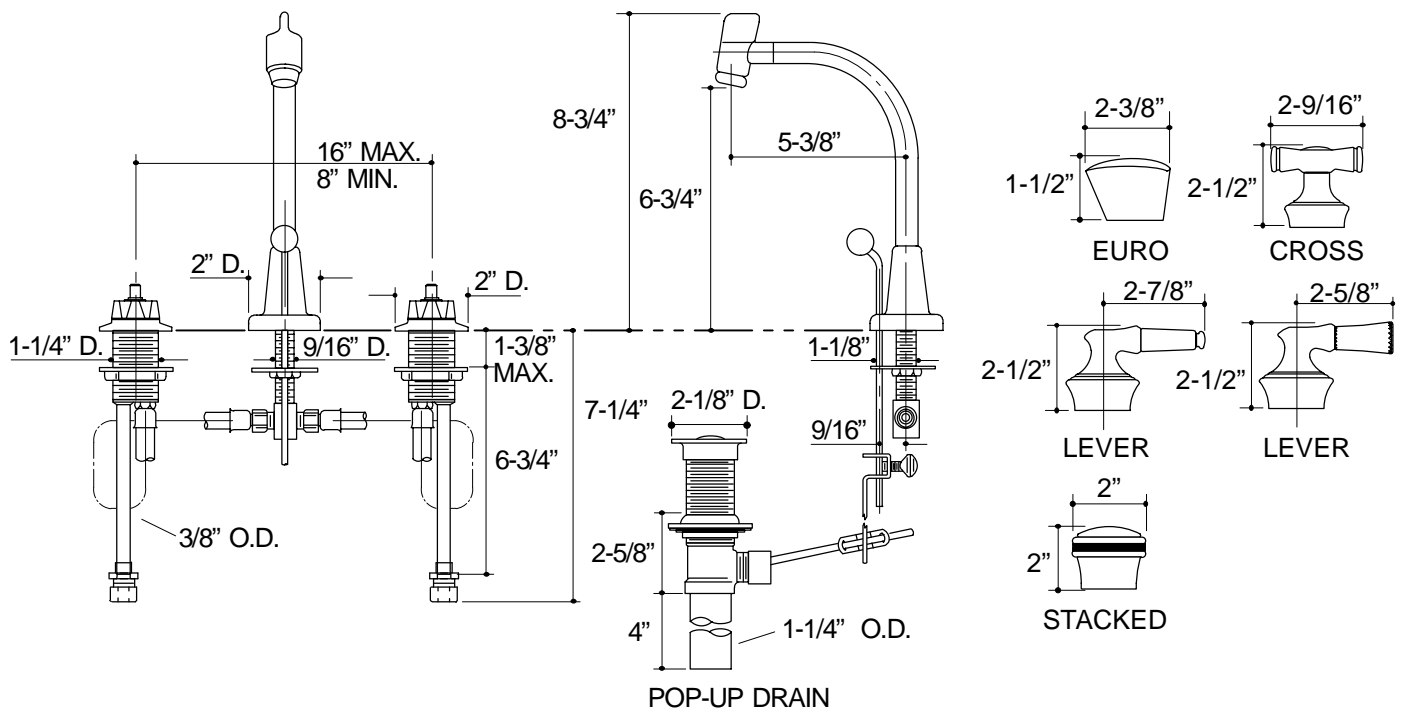
SPECIFIED MODEL: For complete faucet, both base faucet and handle choice must be specified.

Model	Description								
K-15817-K	Coralais Decorator Series Widespread Lavatory Base Faucet			<input type="checkbox"/> CP		<input type="checkbox"/> PB			
Required Accessory (Includes Two Handles)			 ADA	 ADA	 ADA				
K-15850-1	Euro	<input type="checkbox"/> CP <input type="checkbox"/> PB							
K-15850-3D	White Porcelain Cross, ©Disney		<input type="checkbox"/> CP						
K-15850-3P	White Porcelain Cross		<input type="checkbox"/> CP <input type="checkbox"/> PB						
K-15850-4M	Lever, Polished Chrome Insert			<input type="checkbox"/> CP <input type="checkbox"/> PB					
K-15850-4N	Lever, Polished Brass Insert			<input type="checkbox"/> CP <input type="checkbox"/> PB					
K-15850-4P	Lever, White Porcelain Insert			<input type="checkbox"/> CP <input type="checkbox"/> PB					
K-15850-4R	Lever, Acrylic Insert				<input type="checkbox"/> CP <input type="checkbox"/> PB				
K-15850-7M	Stacked, Polished Chrome Insert						<input type="checkbox"/> CP	<input type="checkbox"/> PB	
K-15850-7N	Stacked, Polished Brass Insert						<input type="checkbox"/> CP	<input type="checkbox"/> PB	

PRODUCT SPECIFICATION:

Two-handle widespread lavatory base faucet shall be of metal construction. Faucet shall feature reversible quarter-turn washerless ceramic disc valves, assuring positive handle stop positioning. Product shall include flexible connections, 5-3/8" Multi-Swivel swing spout with rotating aerator, pop-up drain with lift rod and tailpiece, and ground joint connections. Faucet shall be Kohler Model K-15817-K-_____ and handles shall be Kohler Model K-15850-_____-_____.

CORALAIS™ DECORATOR SERIES



316

PRODUCT DIAGRAM