

Ordering Information

| | |
|--|------------|
| Applicable bath and shower trim only: | |
| Cross handle* | K-T6808-3D |
| Lever handle* | K-T6808-4D |
| Applicable shower trim only: | |
| Cross handle* | K-T6809-3D |
| Lever handle* | K-T6809-4D |
| Applicable valve trim only: | |
| Cross handle* | K-T6810-3D |
| Lever handle* | K-T6810-4D |
| *Rite-Temp valve must be ordered to complete faucet. | |

| | | |
|--|----------|------------|
| Applicable Rite-Temp valve only: | | |
| Rite-Temp valve without stops | K-304-K | required** |
| Rite-Temp valve with stops | K-304-KS | required** |
| **Required for configuration illustrated. | | |
| ADA Lever and cross handle is ADA compliant | | |

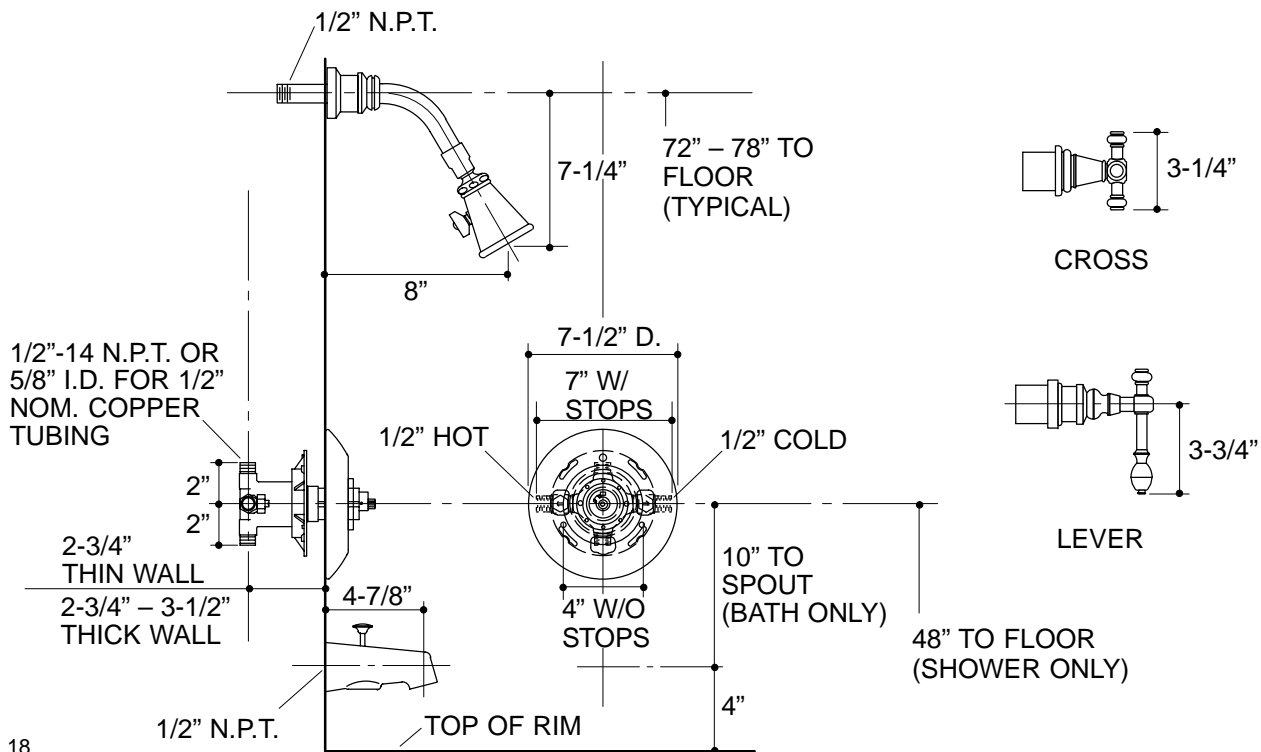
| | |
|-----------------------|--------|
| Accessories/hardware: | |
| Showerhead/arm/flange | K-6812 |
| Ceramic dial plate | K-146 |

Installation Notes

Avoid cross-flow conditions. Do not install shut-off device on either valve outlet.

Cap shower outlet if deck-mount spout, diverter, or handshower is connected to spout outlet.

Install straight pipe or tube drop of 7 to 18" with single elbow between valve and wall-mount spout.



18

NOTES: