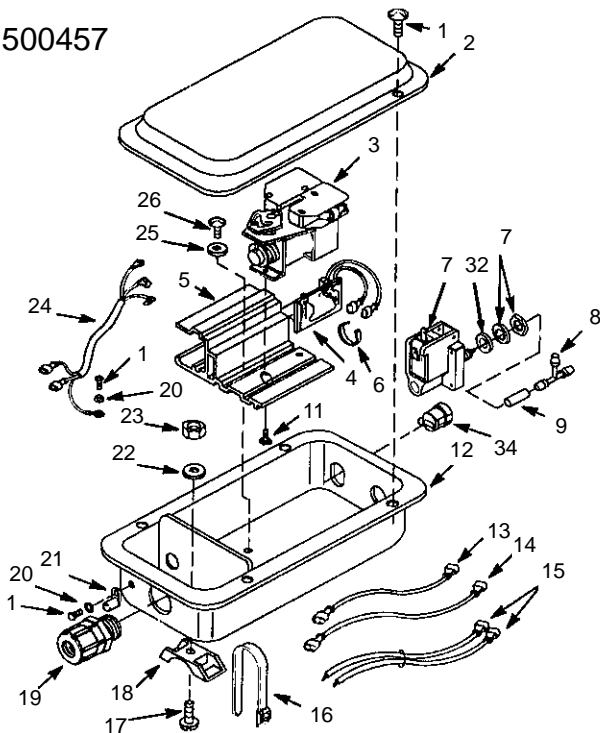
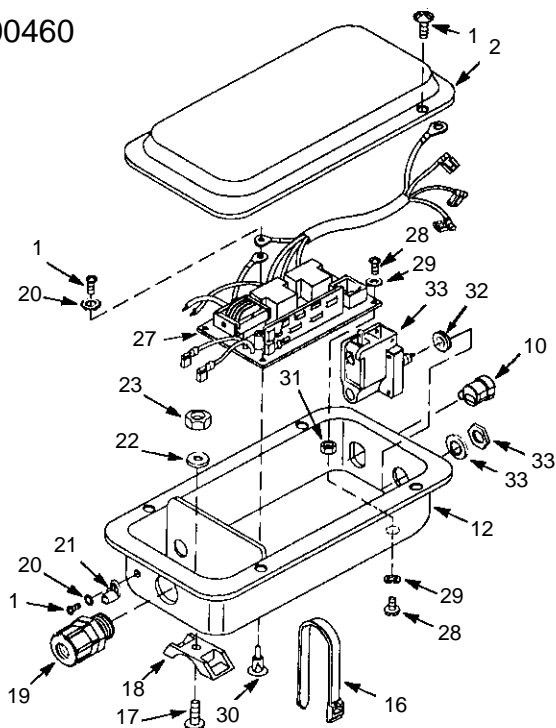


500457



500460



### SERVICE PARTS

| ITEM NO. | PART NO. | QTY. | DESCRIPTION            | SPECIFICATIONS       |
|----------|----------|------|------------------------|----------------------|
| 1        | 60320    | 6    | Screw                  | #10-32               |
| 2        | 60340    | 1    | Cover                  |                      |
| 3        | 60755    | 1    | Relay                  |                      |
| 4        | 60757    | 1    | PC Board               |                      |
| 5        | 65836    | 1    | Mounting Bracket       |                      |
| 6        | 67285    | 1    | Cable Tie              |                      |
| 7        | 91272    | 1    | Pressure Switch        |                      |
| 8        | 60654    | 1    | Tee                    |                      |
| 9        | 60649    | 1    | Flex Tube              | 1/8" I.D.            |
| 10       | 69589    | 1    | Bushing                |                      |
| 11       | 60759    | 2    | Screw                  | #8-32 Thread Forming |
| 12       | 65160    | 1    | Enclosure              |                      |
| 13       | 68137    | 2    | Wire Lead Assembly     | 3"                   |
| 14       | 68138    | 1    | Wire Lead Assembly     | 5"                   |
| 15       | 65845    | 1    | Wire Lead Assembly     |                      |
| 16       | 65328    | 2    | Strap                  |                      |
| 17       | 65330    | 2    | Screw                  | 1/4"-20 x 1/2"       |
| 18       | 65329    | 2    | Strap Bracket          |                      |
| 19       | 68577    | 1    | Bushing                |                      |
| 20       | 61776    | 4    | Washer                 | #10 Int/Ext.         |
| 21       | 67065    | 3    | Ground Lug             |                      |
| 22       | 64212    | 2    | Washer                 | 1/4" Flat            |
| 23       | 90153    | 2    | Lock Nut               | 1/4"-20 UNC          |
| 24       | 65468    | 1    | Pump Cord Assembly     |                      |
| 25       | 64214    | 1    | Washer                 | #10 Flat             |
| 26       | 66424    | 1    | Screw                  | #10-32 1/2"          |
| 27       | 30790    | 1    | Circuit Board Assembly |                      |
| 28       | 67140    | 4    | Slotted Head Pan Screw |                      |
| 29       | 63194    | 4    | Washer                 | 1/4" Lock            |
| 30       | 65193    | 2    | Support-Circuit Board  |                      |
| 31       | 91233    | 2    | Threaded Spacer        |                      |
| 32       | 91355    | 1    | Washer                 |                      |
| 33       | 91239    | 1    | Pressure Switch        |                      |
| 34       | 68572    | 1    | Bushing                |                      |

KITS MAY INCLUDE EXTRA PARTS

SERVICE KITS

NOTES