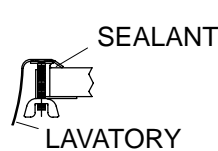
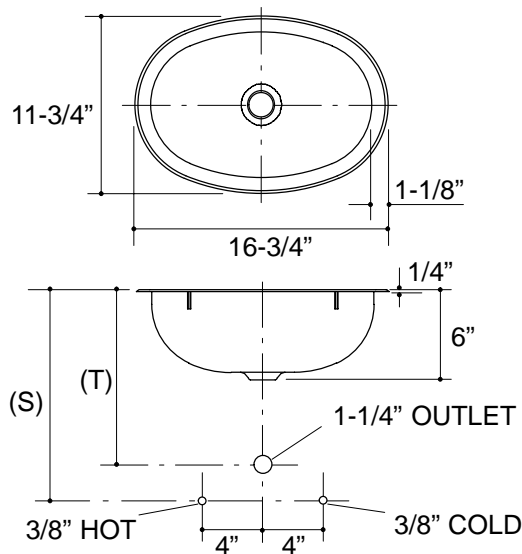


Ordering Information

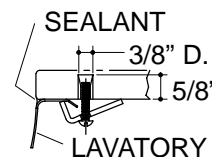
Applicable lavatory:		
Mirror finish	K-2611-M	shown
Mirror finish without Hushcoat undercoat	K-2611-MU	shown
Satin finish	K-2611-S	shown
Satin finish without Hushcoat undercoat	K-2611-SU	shown

Product Information

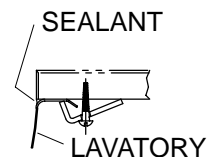
Fixture*:		basin area	water depth
Lavatory		15" x 10"	5-1/2"
Outlet	1-5/8" D.		
* Approximate measurements for comparison only.			
Included Components:			
Basin clamp assembly (undercounter)		68922	
Basin clamp assembly (self-rimming)		56655	
Drain gasket		33507	
Tube		62603	
Adhesive sealant		63034	
Cutout template		111579	



KIT #56655



**MARBLE SLAB
INSTALLATION**



**WOOD COUNTER
INSTALLATION**

KIT #68922

NOTE: WATERPROOF UNPROTECTED OVERHANG AREA OF THE UNDERSIDE OF WOOD COUNTER.

Roughing-In Notes

Fixture dimensions are nominal and conform to tolerances in ASME/ANSI Standard A112.19.3M.

(T) Pop-up drain 11-5/8", drain 10-3/4".

(S) 14" (Based on 12" riser which may require cutting).

Supplied basin clamp assemblies require 3/4" minimum countertop thickness. Installer must supply anchors for thinner countertops.

1.25>116