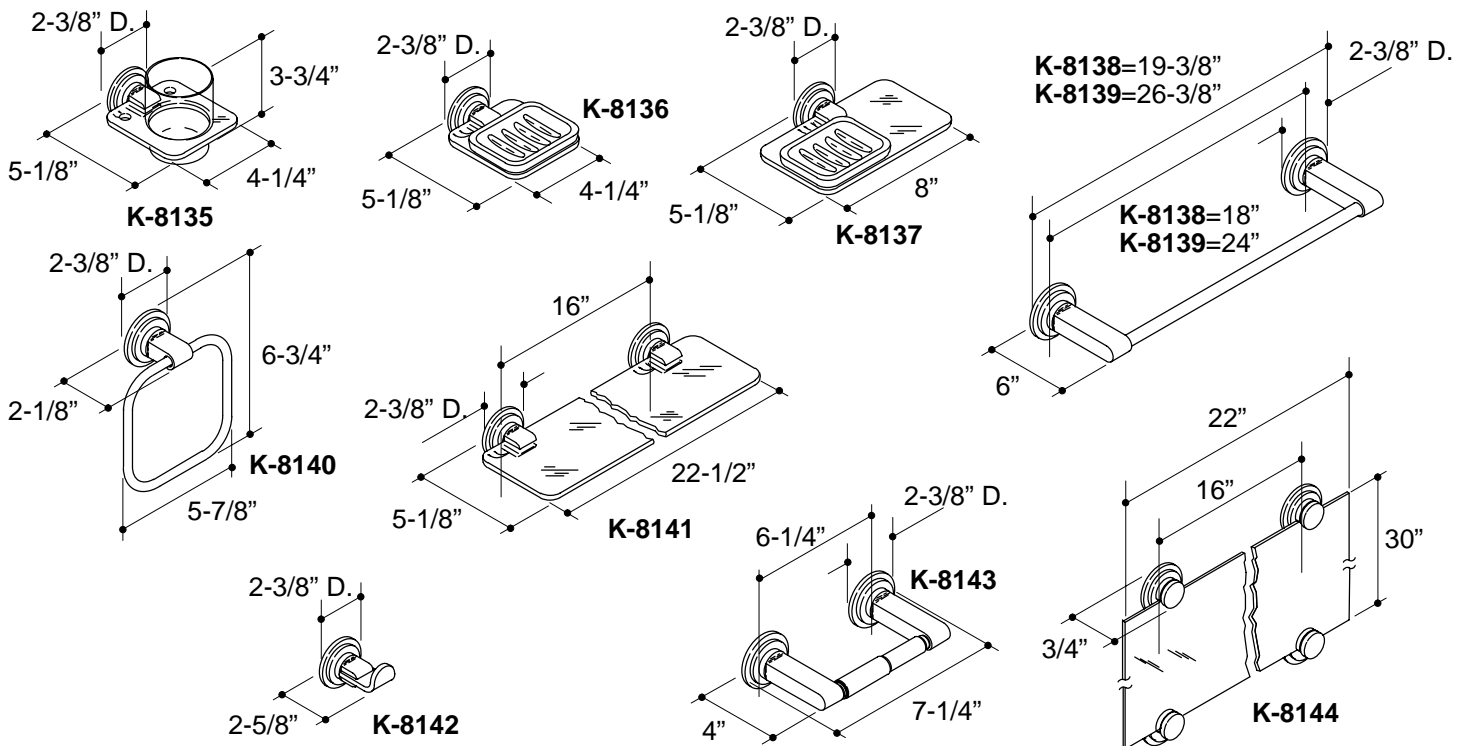


Ordering Information

Applicable product:	
Single tumbler and toothbrush holder, includes glass tumbler	K-8135
Soap dish	K-8136
Soap and sponge holder	K-8137
18" towel bar	K-8138
24" towel bar	K-8139
Towel ring	K-8140
Glass shelf	K-8141
Robe hook	K-8142
Toilet tissue holder	K-8143
Mirror	K-8144



K-8135 Taboret® Accessories
111866-1-AA (9619)

NOTES: