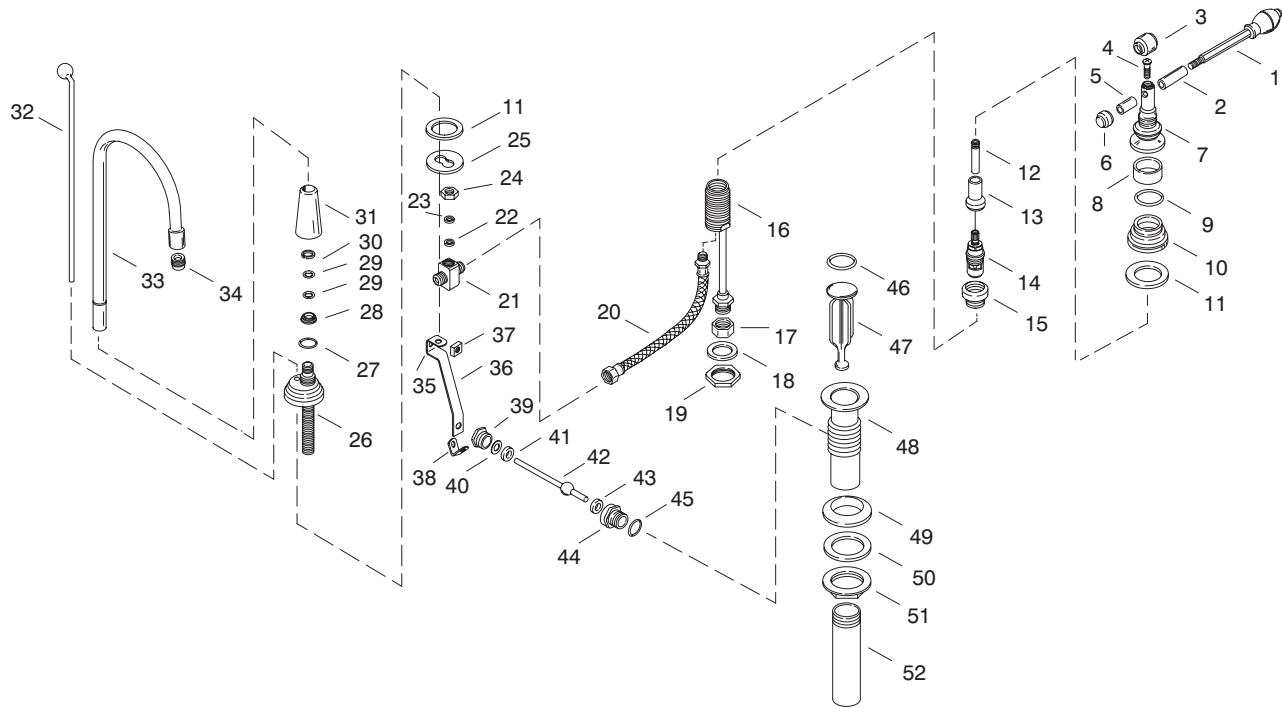


# KOHLER<sup>®</sup> SERVICE PARTS

## IV GEORGES BRASS™ SWIVEL HIGH COUNTRY LAVATORY FAUCET K-6813-D-AA



### SERVICE PARTS

ITEM NO. PART NO. DESCRIPTION

1	36622	Handle Arm Assembly
2	36640	Sleeve, Handle Arm
3	36631	Cap, Center
4	50285	Screw, #8-32 x 2 Large
5	36639	Sleeve, Handle Arm
6	36635	Cap, End
7	40457	Center Post Skirt
8	36638	Sleeve, Large
9	41364	O-Ring, -025 x 1 11/64
10	40456	Escutcheon
11	56106	Washer
12	40490	Stem Extension
13	52795	Retainer
14	30430	Ceramic Valve (Closes Clockwise)
	30431	Ceramic Valve (Closes Counterclockwise)
15		Available in Service Kit Only
16		Available in Service Kit Only
17	30320	Coupling Nut
18	40001	Washer, 1 9/32 ID x 1 3/4 OD
19	40005	Nut, 1 1/4-20 UNS-2B
20	30233	Hose Assembly (2 ea. Hoses)
21	40098	Supply Tee
22	40097	Washer, 9/32 ID x 15/32 OD
23	40013	Gasket, 1/4 ID x 15/32 OD
24	40014	Nut, 3/4-18 NPSM
25	40015	Washer, Special
26		Available in Service Kit Only
27	32725	O-Ring, 116
28	40275	Retaining Collar
29	42045	O-Ring, 012 x 23/64
30	40274	Snap Ring, 1/2 ID
31	40271	Sleeve
32	40156	Rod Assembly
33		Available in Service Kit Only
34	30072	Aerator
35	20452	Screw, 1/4-20 UNC-2A x 5/8
36	51192	Link
37	20451	Nut, 1/4-20 UNC-2B
38	20436	Clip, Spring
39		Available in Service Kit Only
40		Available in Service Kit Only
41		Available in Service Kit Only
42		Available in Service Kit Only

ITEM NO. PART NO. DESCRIPTION

43		Available in Service Kit Only
44		Available in Service Kit Only
45		Available in Service Kit Only
46	38676	O-Ring, -024
47		Available in Service Kit Only
48	38738	Strainer Body Pop-Up Drain
49	33507	Gasket, 1 1/2 Beveled
50	34043	Washer, 1 17/32 x 2 1/8
51	20831	Nut, 1 1/2-16 UNS-2B
52	41460	Tailpiece, 4 1/4 Long

### SERVICE KITS

PART NO.	ITEM NO.	QTY.	DESCRIPTION
40409			End Valve Assembly, Hot (Clockwise Close)
	14	1 ea.	Ceramic Valve (Clockwise Close)
	15	1 ea.	Bonnet
	16	1 ea.	End Valve Body Assembly
	17	1 ea.	Nut, 1/2-14 NPSM
40478			End Valve Assembly, Cold (CCW Close)
	14	1 ea.	Ceramic Valve (Counterclockwise Close)
	15	1 ea.	Bonnet
	16	1 ea.	End Valve Body Assembly
	17	1 ea.	Nut, 1/2-14 NPSM
52605			Spout Assembly, Lav
	26	1 ea.	Post; Shank; Escutcheon, Lav Fitting
	27	1 ea.	O-Ring, 116
	28	1 ea.	Retaining Collar
	29	2 ea.	O-Ring, 012 x 23/64
	30	1 ea.	Snap Ring, 33/64 ID
	31	1 ea.	Sleeve
	33	1 ea.	Spout
	34	1 ea.	Aerator
29811			Ball Lever Assembly
	39	1 ea.	Nut, 15/16-20 UNEF-2A
	40	1 ea.	Washer, 17/32 x 47/64
	41	1 ea.	Washer, 31/64 ID x 3/4 OD
	42	1 ea.	Ball & Trip Lever Assembly
	43	1 ea.	Washer, 31/64 ID x 3/4 OD
	44	1 ea.	Trip Lever Housing
	45	1 ea.	Gasket, 57/64 x 63/64
38736			Drain Plug Assembly
	46	1 ea.	O-Ring, -024
	47	1 ea.	Plug

Variation and/or finish/color code may be required when ordering.