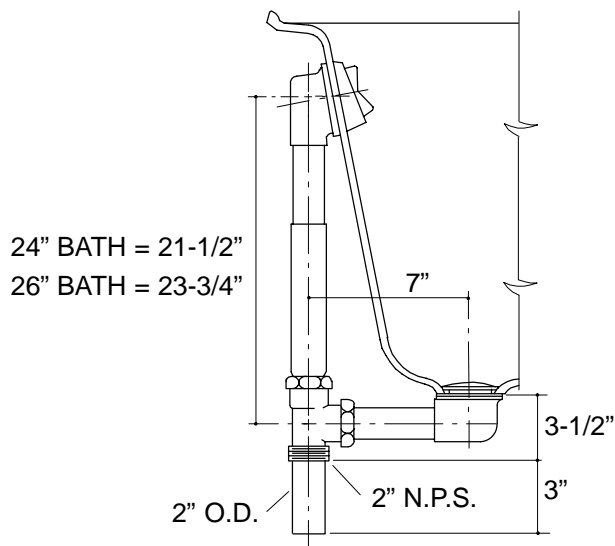
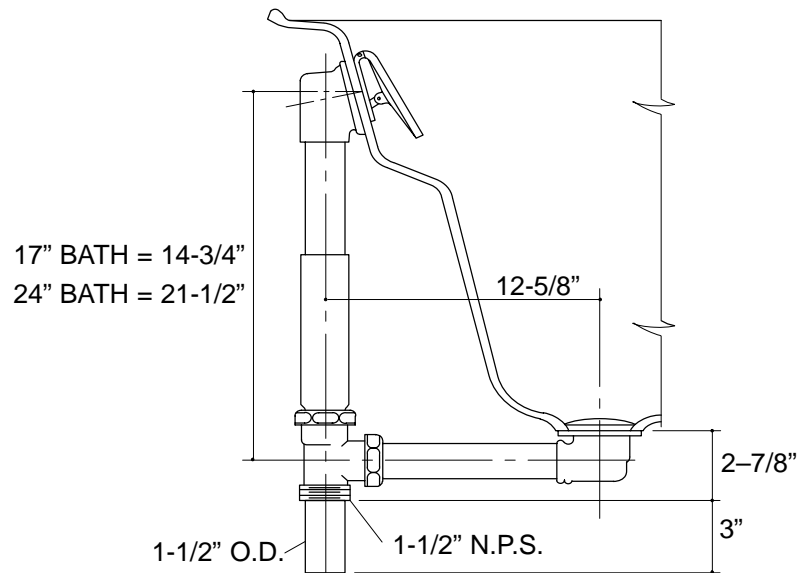


### Ordering Information

Applicable drain:	
Above or through-the-floor installation:	
With 2" O.D. and 2" N.P.S.	K-7167
With 1-1/2" O.D. and 1-1/2" N.P.S.	K-7169-AF



**K-7167**



**K-7169-AF**