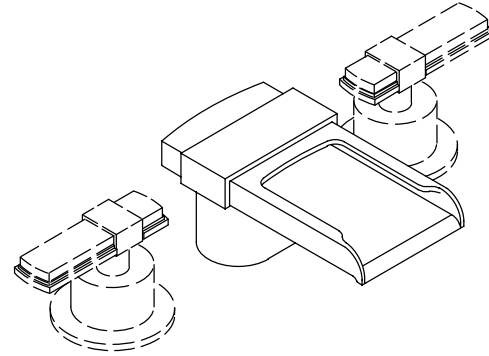


**LAVATORY FAUCET
K-7980**

FEATURES

- Brass construction
- Flexible connections
- Brass valve bodies
- Quarter-turn washerless ceramic disc valves
- 4-1/2" Flume™ spout
- 2.0 gallons per minute
- Pop-up drain with lift rod and tailpiece
- Available with square or lever handles
- Matching brushed metal insets



CODES/STANDARDS APPLICABLE

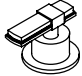
Specified model meets or exceeds the following:


- ASME/ANSI A112.18.1M
- CSA B125
- Energy Policy Act of 1992
- IAPMO/UPC
- NSF 61

COLORS/FINISHES

- CP Polished Chrome
- PB Polished Brass

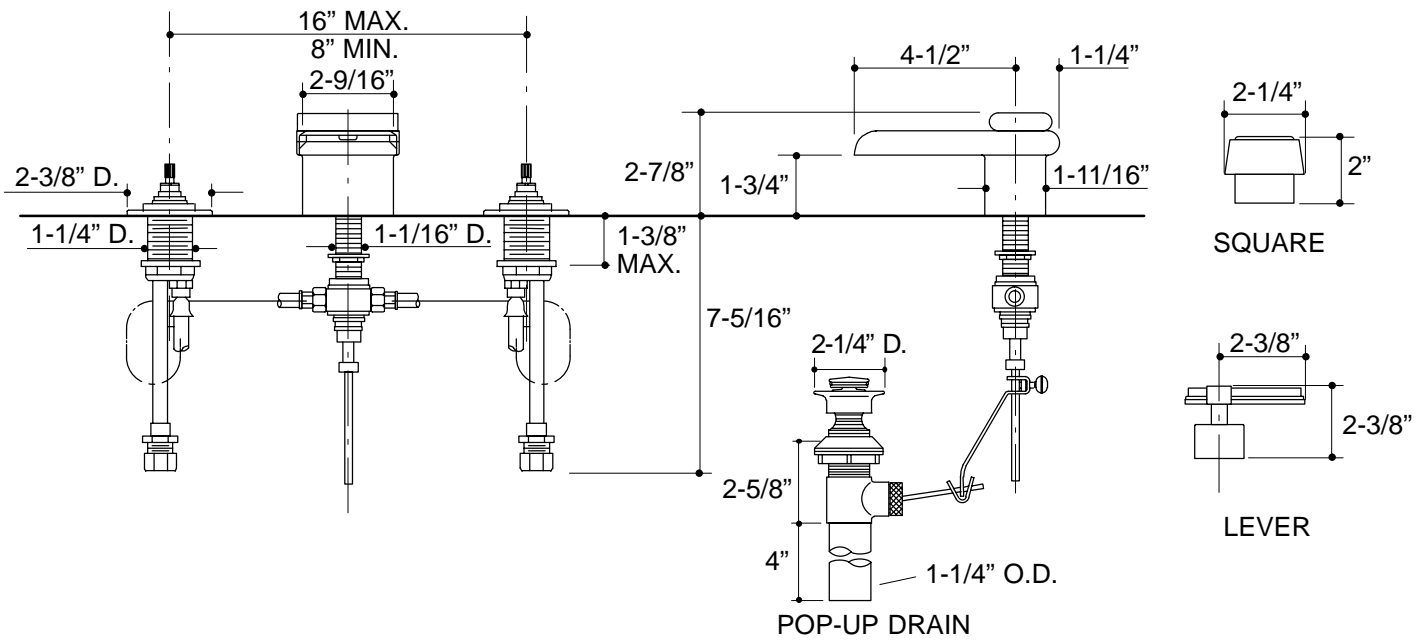
SPECIFIED MODEL:

Model	Description			ADA
K-7980-2	With Square Handles	<input type="checkbox"/> CP <input type="checkbox"/> PB		
K-7980-4	With Lever Handles		<input type="checkbox"/> CP <input type="checkbox"/> PB	

Optional Accessories				
	K-9917	Large Handle Stone Inset, Single		<input type="checkbox"/> Other_____
	K-9923	Large Handle Metal Inset, Single	<input type="checkbox"/> CP <input type="checkbox"/> PB	<input type="checkbox"/> Other_____
	K-9926	Large Handle Ceramic Inset, Single		<input type="checkbox"/> Other_____
	K-9932	Large Handle Champleve Inset, Single		<input type="checkbox"/> Other_____
	K-9971	Small Lever Metal Inset, Single	<input type="checkbox"/> CP <input type="checkbox"/> PB	<input type="checkbox"/> Other_____
	K-9985	Small Lever Stone Inset, Single		<input type="checkbox"/> Other_____

PRODUCT SPECIFICATION:

Two-handle widespread lavatory faucet shall be of brass construction. Faucet shall feature brass valve bodies. Faucet shall feature quarter-turn washerless ceramic disc valves, assuring positive handle stop positioning. Product shall include flexible connections, 4-1/2" Flume spout, pop-up drain with lift rod and tailpiece, and handles with matching brushed metal insets. Faucet shall be Kohler Model K-7980-_____-_____.



316

PRODUCT DIAGRAM