

**SINK STRAINER**  
**K-8813**  
**ALSO K-8814**

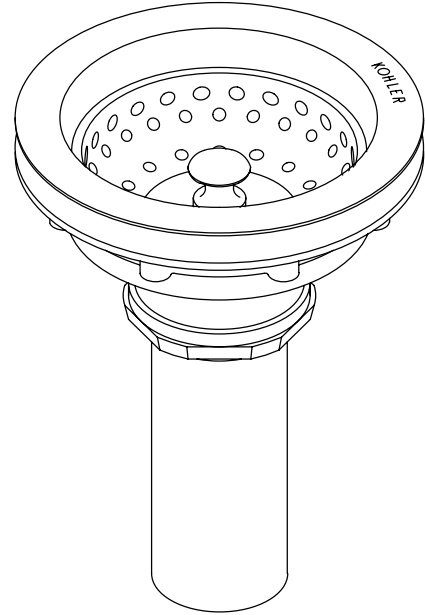
**FEATURES**

- Brass construction
- Intended for sink installations with 3-1/2" or 4" outlet
- Removable stainless steel basket
- 1-1/2" connection

**CODES/STANDARDS APPLICABLE**

Specified model meets or exceeds the following:

- ASME/ANSI A112.18.1M



**COLORS/FINISHES**

- CP Polished Chrome

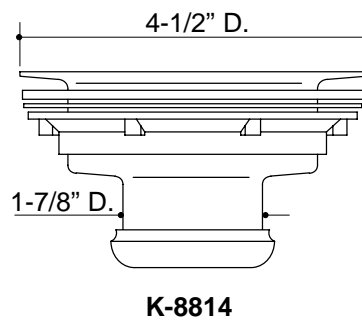
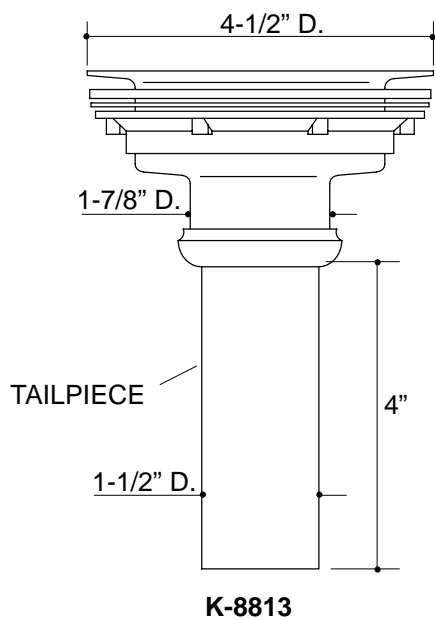
**SPECIFIED MODEL:**

Model	Description	
K-8813	Sink Strainer With Tailpiece	<input type="checkbox"/> CP
K-8814	Sink Strainer Less Tailpiece	<input type="checkbox"/> CP

**PRODUCT SPECIFICATION:**

Sink strainer shall be of brass construction. Product shall feature removable basket strainer, and 1-1/2" connection. Product is intended for sink installations with 3-1/2" or 4" outlet. Optional feature shall be a brass tailpiece. Strainer shall be Kohler Model K-\_\_\_\_\_-CP.

# DUOSTRAINER®



## PRODUCT DIAGRAM