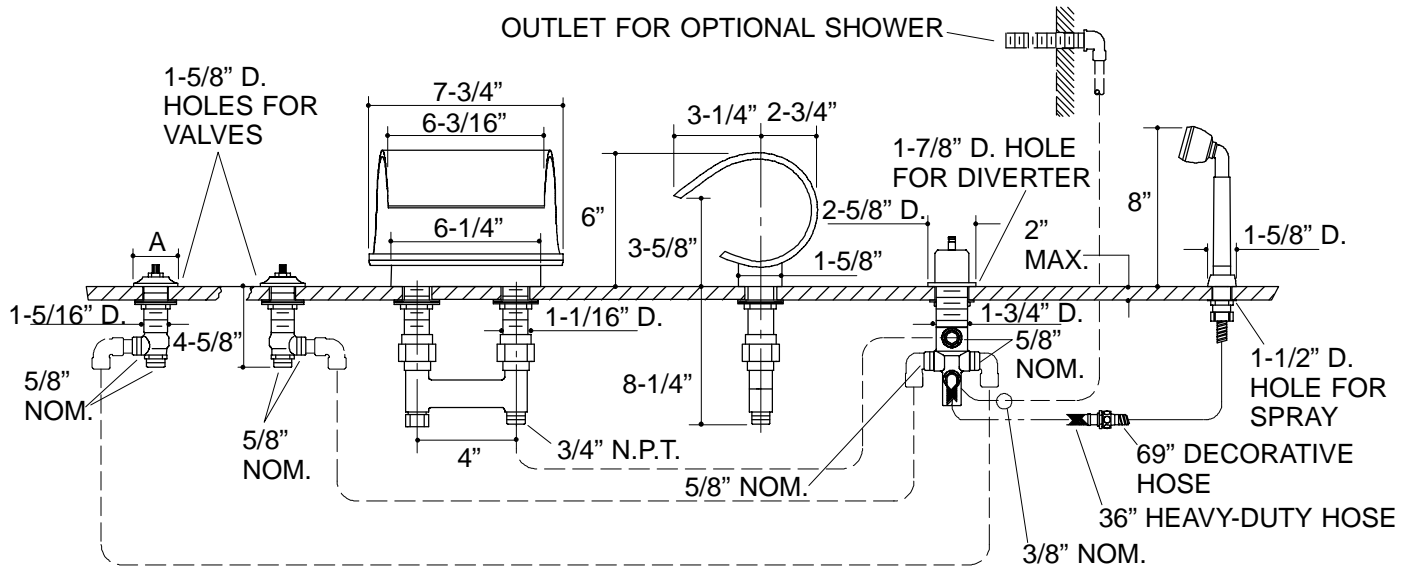
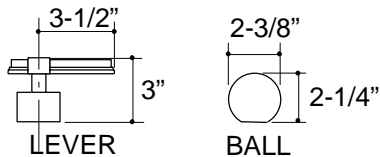


Ordering Information

Applicable product:	
Lever handles	K-7910-4
Ball handles	K-7910-8
ADA Lever handles are ADA compliant	



NOTE: DASHED LINES INDICATE ITEMS SUPPLIED BY INSTALLER



.9<18

Roughing-In Notes	
	A
With lever handles	2-1/2"
With ball handles	2-1/8"

K-7910 Cirrus[™] Bath-Mount Personal Shower System
112460-1-AA (9619)

NOTES: