

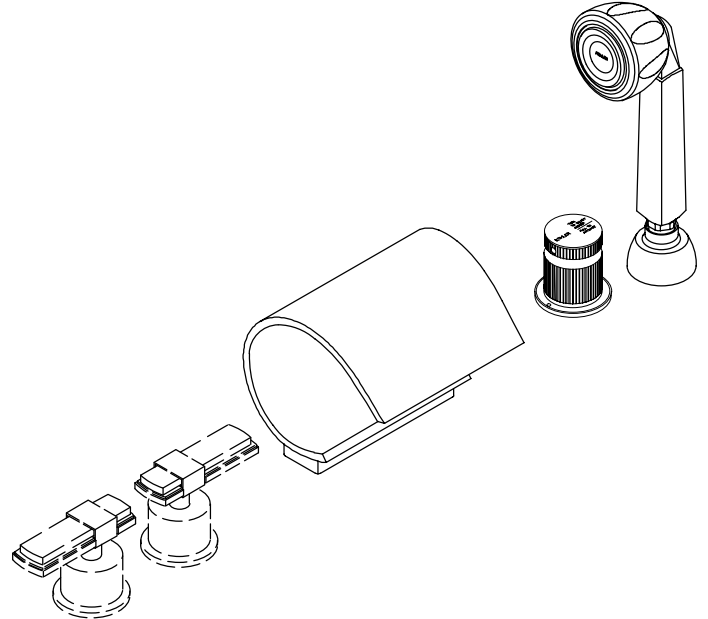
FEATURES

- Brass construction
- Bath-mount
- Brass valve bodies
- 3/4" quarter-turn washerless ceramic disc valves
- 3-1/4" Sheetflow non-diverter spout with N.P.T. connection
- Available with lever or ball handles
- Persona™ handshower
- Three-way diverter valve/vacuum breaker

CODES/STANDARDS APPLICABLE

Specified model meets or exceeds the following:

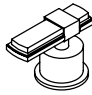
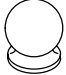
- ASME/ANSI A112.18.1M
- CSA B125
- Energy Policy Act of 1992

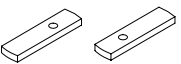
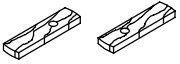


COLORS/FINISHES

- CP Polished Chrome
- PB Polished Brass

SPECIFIED MODEL:

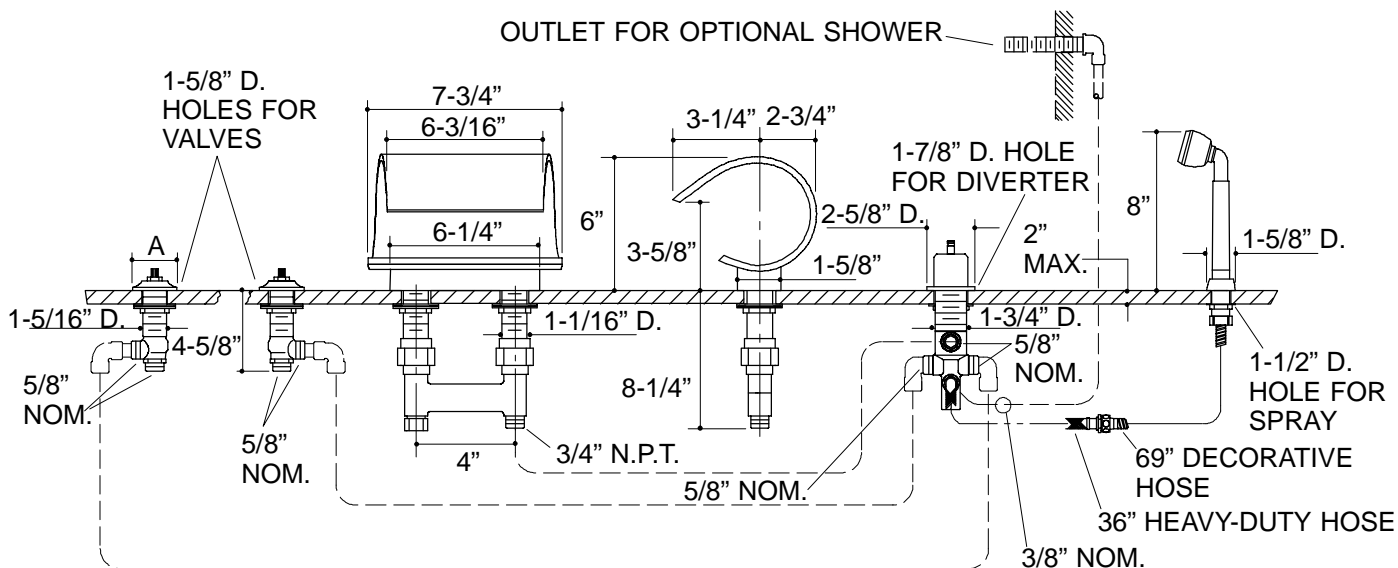
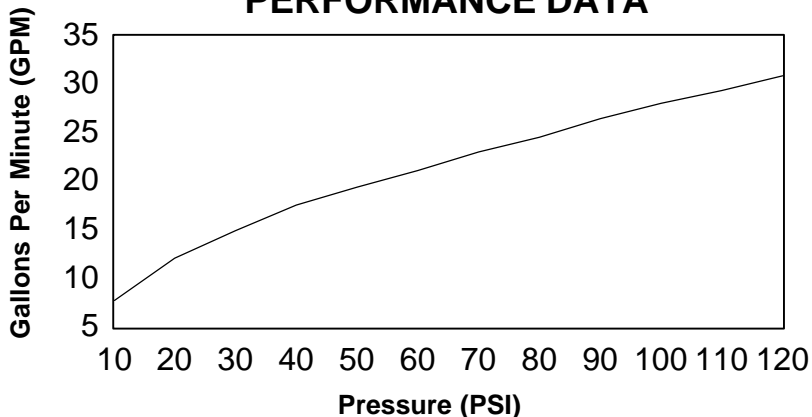
Model	Description	 ADA	
K-7910-4	With Lever Handles	<input type="checkbox"/> CP <input type="checkbox"/> PB	
K-7910-8	With Ball Handles		<input type="checkbox"/> CP <input type="checkbox"/> PB

Optional Accessories			
K-9970	Large Lever Handle Metal Insets, Pair	<input type="checkbox"/> CP <input type="checkbox"/> PB <input type="checkbox"/> Other_____	
K-9984	Large Lever Handle Stone Insets, Pair		<input type="checkbox"/> Other_____

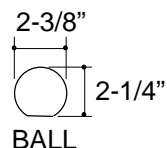
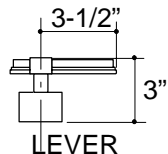
PRODUCT SPECIFICATION:

Two-handle bath-mount bath faucet shall be of brass construction. Faucet shall feature brass valve bodies. Faucet shall feature 3/4" quarter-turn washerless ceramic disc valves, assuring positive handle stop positioning. Product shall include 3-1/4" Sheetflow non-diverter spout with N.P.T. connection, lever or ball handles, Persona handshower, and three-way diverter valve/vacuum breaker. Faucet shall be Kohler Model K-7910-_____-_____.

PERFORMANCE DATA



NOTE: DASHED LINES INDICATE ITEMS SUPPLIED BY INSTALLER



Roughing-In Notes

	A
With lever handles	2-1/2"
With ball handles	2-1/8"

.9<18

PRODUCT DIAGRAM