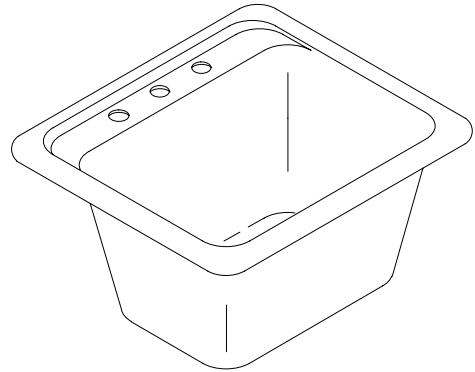


FEATURES

- 25" x 22"
- Cast iron
- Acid resistant enamel finish
- Self-rimming
- Single compartment
- 3-hole drilling



CODES/STANDARDS APPLICABLE

Specified model meets or exceeds the following:

- ASME/ANSI A112.19.1M
- IAPMO/UPC
- Canadian Standards Association (CSA)
- State of Massachusetts

COLORS/FINISHES

- 0 White
- Other Refer to Fixtures Price Book for additional colors

Accessories:

- CP Polished Chrome
- Other Refer to Price Book for additional finishes

SPECIFIED MODEL:

Model	Description	Colors/Finishes	
K-6749-3	3-hole sink	<input type="checkbox"/> 0 White	<input type="checkbox"/> Other_____
Recommended Accessories			
K-9000	Trap	<input type="checkbox"/> CP	
Optional Accessories			
K-8820	Sink strainer with tailpiece OR	<input type="checkbox"/> CP	
K-8821	Sink strainer with rubber stopper and tailpiece OR	<input type="checkbox"/> CP	
K-8801	Duostrainer sink strainer	<input type="checkbox"/> CP	<input type="checkbox"/> Other_____

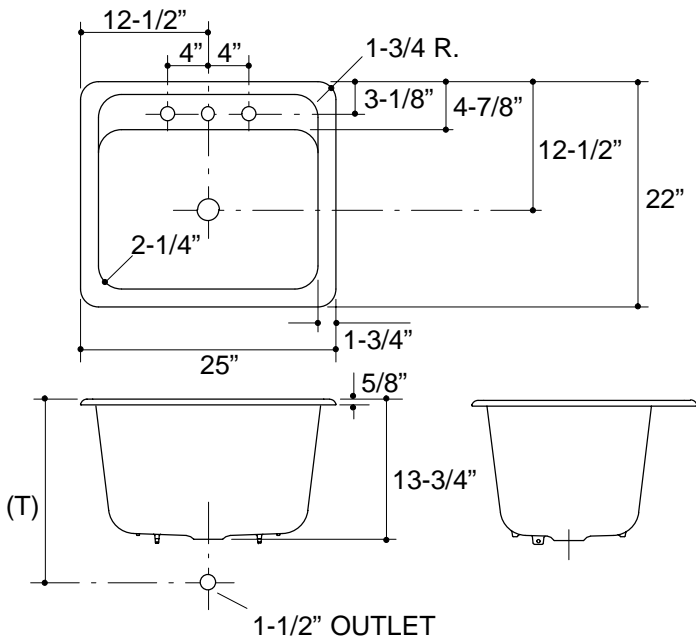
PRODUCT SPECIFICATION:

The self-rimming utility sink shall be 25" in length, and 22" in width. Sink shall be made of cast iron with acid resistant enamel finish. Sink shall be single compartment. Sink shall be 3-hole drilled. Sink shall be Kohler Model K-6749-3-_____.

GLEN FALLS™

PRODUCT INFORMATION

Fixture*:		basin area	water depth
Sink		22" x 15"	12-1/2"
Water capacity	14 gallons		
Outlet	2-1/8" D.		
Faucet holes	1-3/8" D.		
* Approximate measurements for comparison only.			



Roughing-In Notes

(T) Drain typically 17-3/4".

Cutout 23-1/2" x 20-1/2" with 1" radius corners.

.85>116

PRODUCT DIAGRAM