

LAVATORY FAUCETS, PAIR
K-153-3

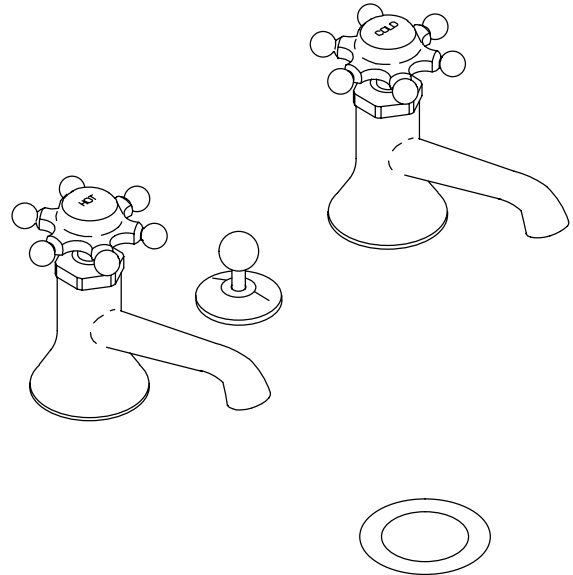
FEATURES

- Brass construction
- Brass valve bodies
- Valvet® valves
- 4-5/8" spouts
- Pop-up drain with lift rod and tailpiece
- Six-prong handles

CODES/STANDARDS APPLICABLE

Specified model meets or exceeds the following:

- ASME/ANSI A112.18.1M
- Energy Policy Act of 1992
- NSF 61



COLORS/FINISHES

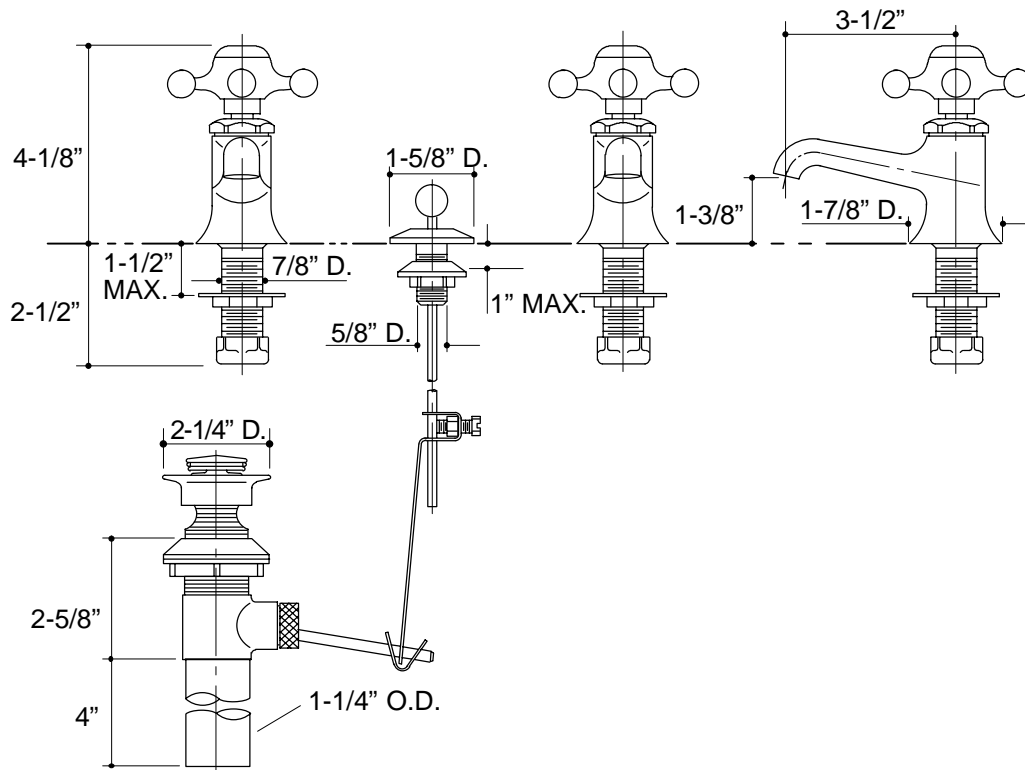
- CP Polished Chrome

SPECIFIED MODEL:

Model	Description	
K-153-3	Antique Lavatory Faucets, Pair	<input type="checkbox"/> CP

PRODUCT SPECIFICATION:

Two-handle lavatory faucet shall be of brass construction. Faucet shall feature brass valve bodies. Product shall also feature Valvet valves. Product shall include two 4-5/8" spouts with six-prong handles, and pop-up drain with lift rod and tailpiece. Faucet shall be Kohler Model K-153-3-CP.



PRODUCT DIAGRAM