

Ordering Information

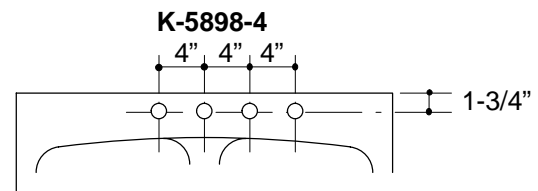
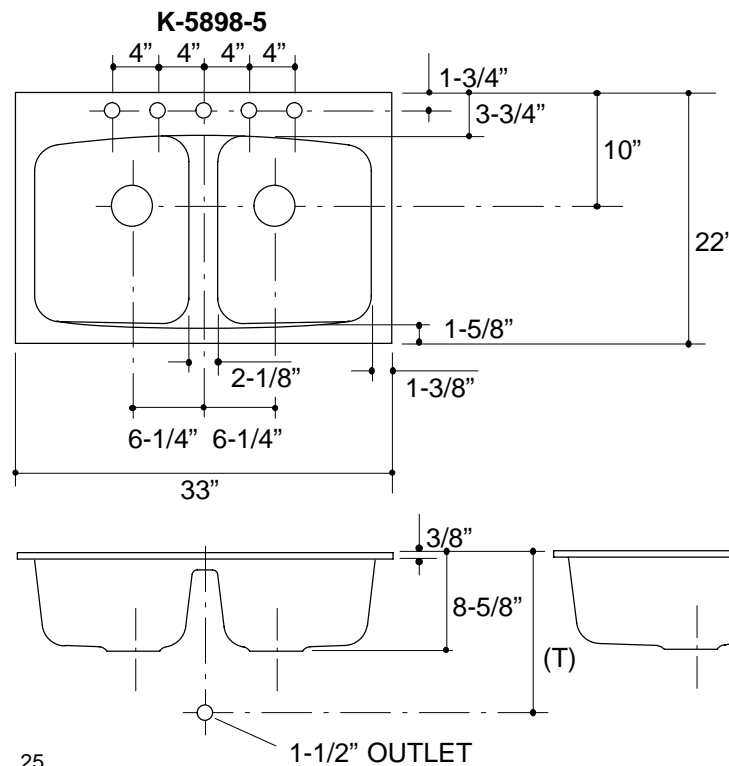
Applicable product:		
Five-hole sink	K-5898-5	shown
Four-hole sink	K-5898-4	not shown
Accessories/hardware:		
Hardwood cutting board	K-6507	optional
Wire rinse basket	K-6510	optional
Bottom basin rack	K-6010	optional

Product Information

Fixture*:		basin area	water depth
Sinks		14" x 17"	6-3/4"
Outlet	3-7/8" D.		
Faucet holes	1-3/8" D.		
* Approximate measurements for comparison only.			

Installation Notes

Refer to installation instructions included with fixture before beginning installation.



Roughing-In Notes

Fixture dimensions are nominal and conform to tolerances in ASME/ANSI Standard A112.19.1M.

(T) Drain typically 14-7/8".

Cutout 31-3/4" x 20-3/4" with 1" radius corners.

25