

Ordering Information

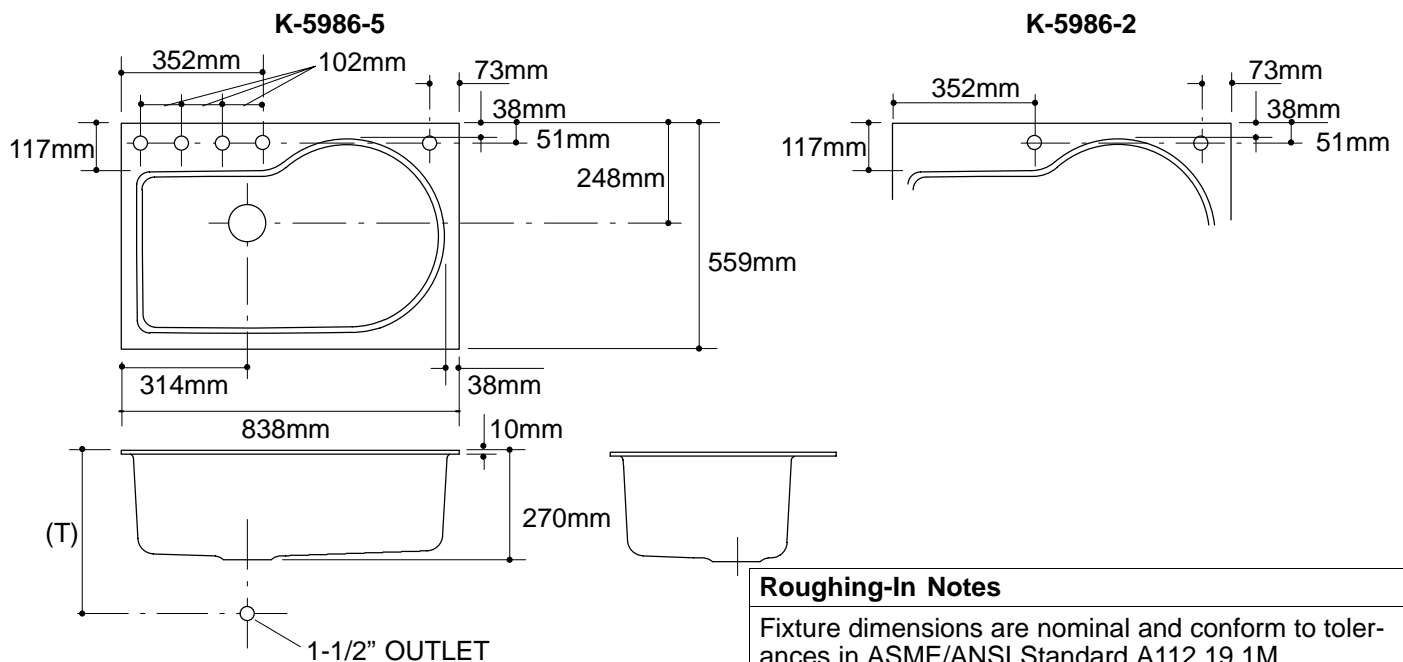
Applicable product:		
Five-hole sink	K-5986-5	shown
Two-hole sink	K-5986-2	not shown
Accessories/hardware:		
Hardwood cutting board	K-6512	optional
Bottom basin rack	K-6006	optional
Accessory tray	K-6556	optional

Product Information

Fixture*:		basin area	water depth
Sink		762 x 483mm	254mm
Outlet	Ø92mm		
Faucet holes	Ø35mm		
* Approximate measurements for comparison only.			

Installation Notes

Refer to installation instructions included with fixture before beginning installation.



Roughing-In Notes	
Fixture dimensions are nominal and conform to tolerances in ASME/ANSI Standard A112.19.1M.	
(T) Drain typically 406mm.	
Cutout	806 x 527mm with 25mm radius corners.

.85<116