

### Ordering Information

Applicable product:		
Five-hole sink	K-5893-5	shown
Four-hole sink	K-5893-4	not shown
Accessories/hardware:		
Hardwood cutting board	K-5916	optional

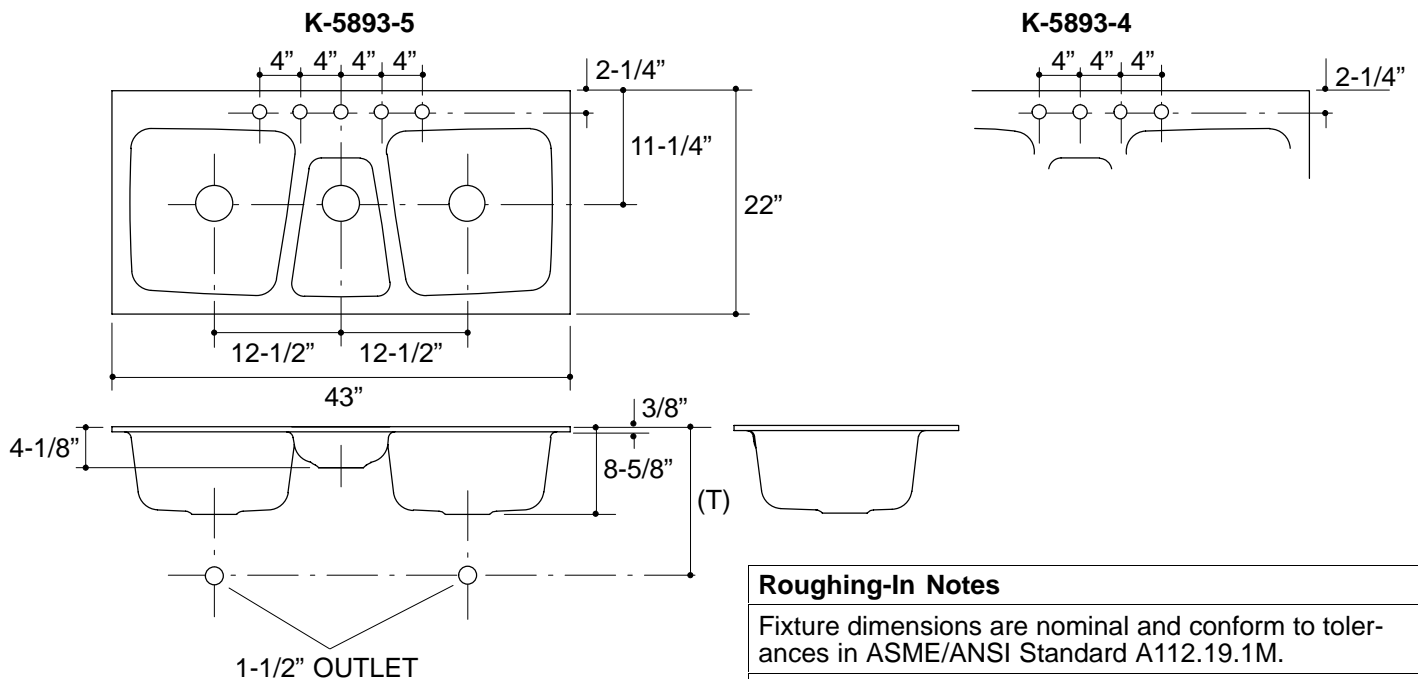
### Product Information

Fixture*:		basin area	water depth
Sinks		14" x 16"	8"
Disposal		10" x 14"	3-1/2"
Outlet	3-5/8" D.		
Faucet holes	1-3/8" D.		

\* Approximate measurements for comparison only.

### Installation Notes

Refer to installation instructions included with fixture before beginning installation.



#### Roughing-In Notes

Fixture dimensions are nominal and conform to tolerances in ASME/ANSI Standard A112.19.1M.

(T) Drain typically 13-7/8".

Cutout 41-3/4" x 20-3/4" with 1" radius corners.

.85<116

**K-5893 Trieste™ Sink**  
112568-1-CA (-)

# KOHLER®