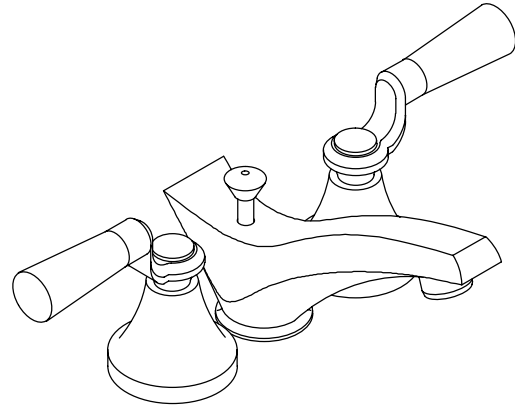


**LAVATORY FAUCET
K-6211-4**

FEATURES

- Brass construction
- For 4" centers
- Brass valve bodies
- Quarter-turn washerless ceramic disc valves
- 4-3/8" wave spout
- 2.0 gallons per minute
- Pop-up drain with lift rod and tailpiece
- Lever handles with clear acrylic inserts

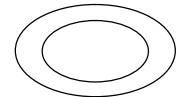
ADA



CODES/STANDARDS APPLICABLE

Specified model meets or exceeds the following:

- ASME/ANSI A112.18.1M
- Energy Policy Act of 1992
- IAPMO/UPC
- NSF 61



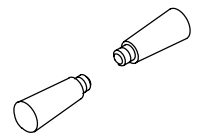
COLORS/FINISHES

- CP Polished Chrome
- PB Polished Brass

SPECIFIED MODEL:

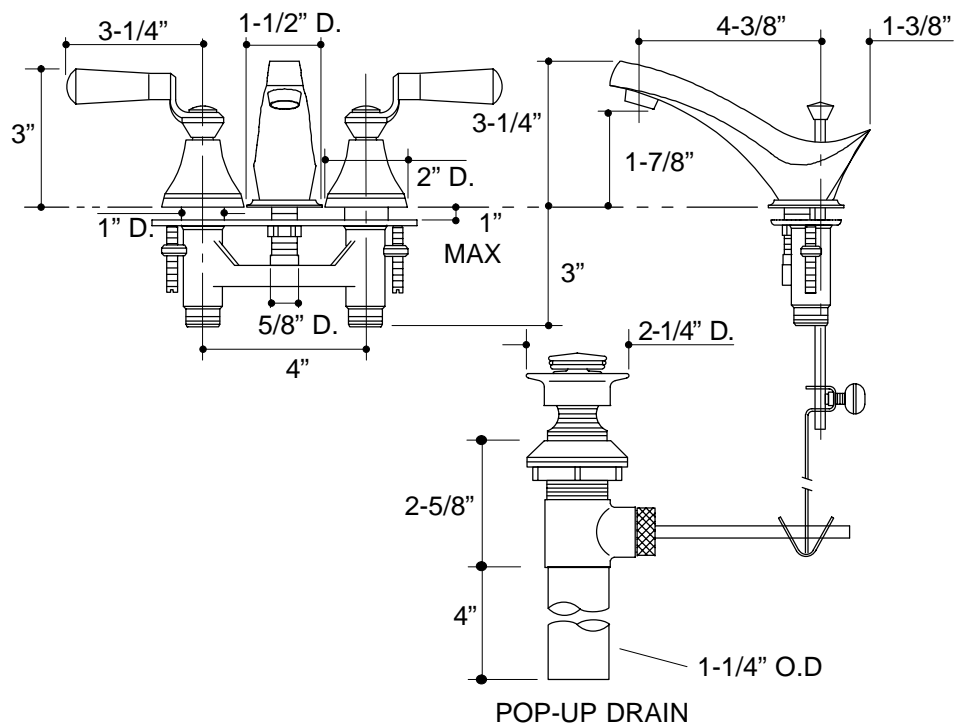
Model	Description	<input type="checkbox"/> CP	<input type="checkbox"/> PB
K-6211-4	Flair Centerspread Lavatory Faucet	<input type="checkbox"/> CP	<input type="checkbox"/> PB

Optional Accessory	<input type="checkbox"/> CP	<input type="checkbox"/> PB	<input type="checkbox"/> Other_____
K-7266 Lever Handle Inserts, Pair	<input type="checkbox"/> CP	<input type="checkbox"/> PB	<input type="checkbox"/> Other_____



PRODUCT SPECIFICATION:

Two-handle centerspread lavatory faucet shall be of brass construction. Faucet shall feature brass valve bodies. Faucet shall feature quarter-turn washerless ceramic disc valves, assuring positive handle stop positioning. Product shall include 4" centers, 4-3/8" wave spout, pop-up drain with tailpiece, and lever handles with clear acrylic inserts. Faucet shall be Kohler Model K-6211-4-_____.



PRODUCT DIAGRAM