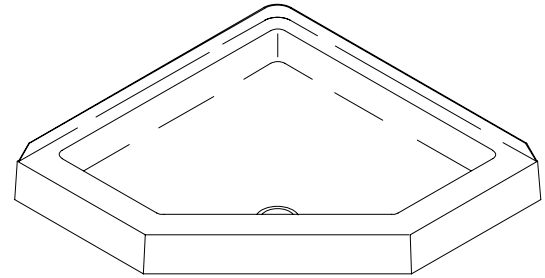


### NEO-ANGLE SHOWER RECEPTOR

# K-9866

#### FEATURES

- 38" x 38"
- Acrylic
- Reinforced with fiberglass
- Slip resistant bottom



#### CODES/STANDARDS APPLICABLE

Specified model meets or exceeds the following:

- ANSI Z124.2
- IAPMO/UPC
- Canadian Standards Association (CSA)
- State of Massachusetts

#### COLORS/FINISHES

- 0 White
- Other Refer to Fixtures Price Book for additional colors

#### Accessories:

- CP Polished Chrome
- PB Polished Brass
- SV Nevada Silver™
- BR New England Brass™
- Other Refer to Faucets Price Book for additional finishes
- NA None Applicable

#### SPECIFIED MODEL:

Model	Description	Colors/Finishes	
K-9866	Neo-angle shower receptor	<input type="checkbox"/> 0 White	<input type="checkbox"/> Other_____

Recommended Accessories				
K-9132	Drain	<input type="checkbox"/> CP	<input type="checkbox"/> PB	<input type="checkbox"/> Other_____
Optional Accessories				
K-1182	Vinyl tiling-in bead			<input type="checkbox"/> NA
K-9868	Profile neo-angle shower enclosure* <b>OR</b>	<input type="checkbox"/> SV	<input type="checkbox"/> BR	<input type="checkbox"/> Other_____
K-9716	Glassworks™ neo-angle shower enclosure*	<input type="checkbox"/> SV	<input type="checkbox"/> BR	
* Refer to Fixtures Price Book for glass options.				

#### PRODUCT SPECIFICATION:

The neo-angle shower receptor shall be 38" in length and 38" in width. Shower receptor shall be made of acrylic reinforced with fiberglass. Shower receptor shall have slip resistant bottom. Shower receptor shall be Kohler Model K-9866-\_\_\_\_\_.

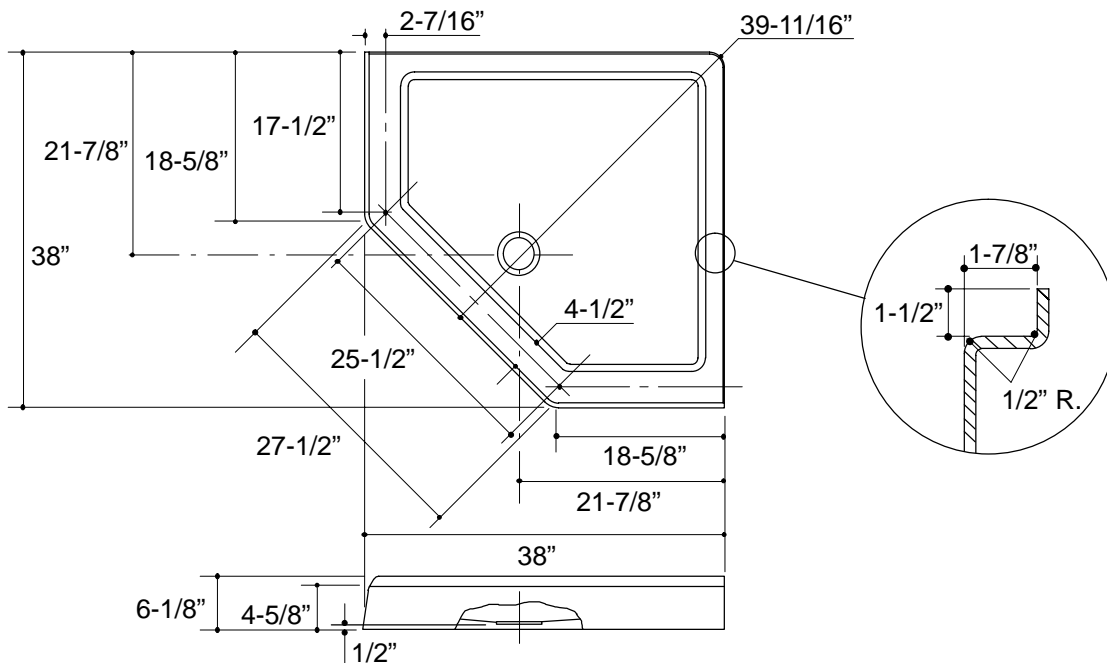
# PROFILE<sup>®</sup>

## PRODUCT INFORMATION

Fixture:	
Weight	63 lbs.
Configuration	1-piece
Drain Outlet	3-3/8" D.

## INSTALLATION NOTES

**IMPORTANT:** If a Kohler Profile Shower Door is used with a Kohler receptor or a receptor you are building, refer to special framing instructions inside the installation instructions for receptor.



364

## PRODUCT DIAGRAM