

Ordering Information

| | | |
|---|--------|-------------|
| Accessories/hardware: | | |
| Drain | K-9132 | recommended |
| Vinyl tiling-in bead* | K-1182 | optional |
| *Use K-1182 vinyl bead when wall material contacts any top surface of receptor. | | |

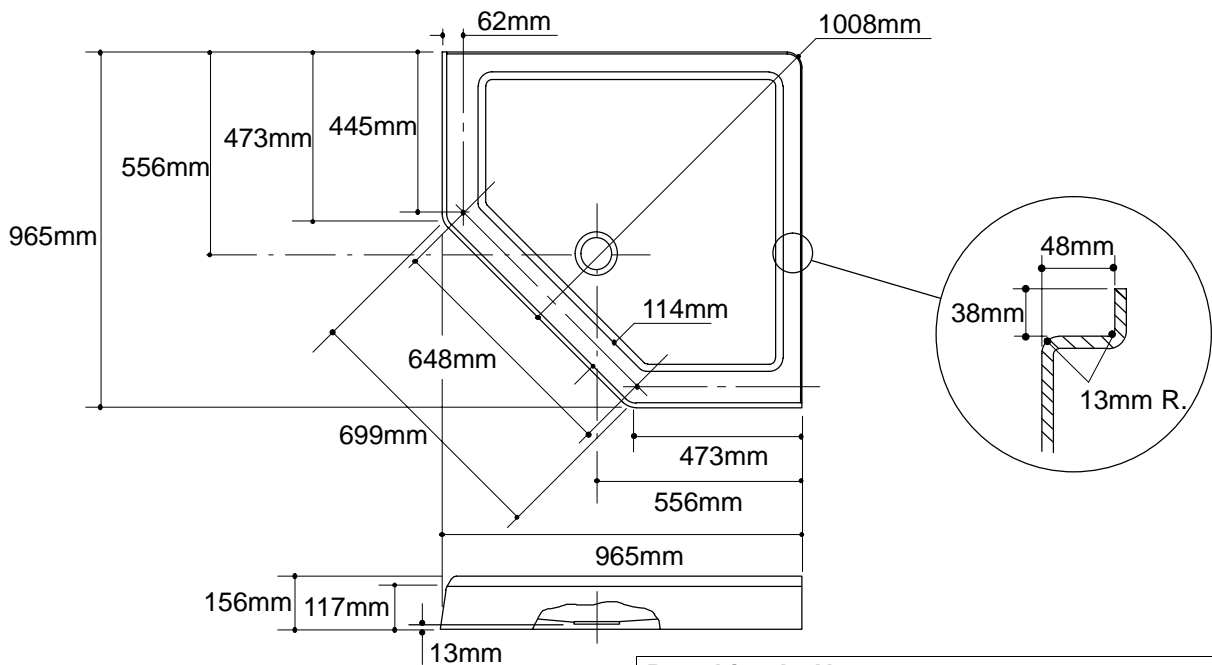
Product Information

| | |
|---------------|---------|
| Fixture: | |
| Weight | 29 Kg. |
| Configuration | 1-piece |
| Drain Outlet | Ø86mm |

Installation Notes

Refer to installation instructions included with fixture before beginning installation.

IMPORTANT: If a Kohler Profile Shower Door is used with a Kohler receptor or a receptor you are building, refer to special framing instructions inside the installation instructions for receptor.



Roughing-In Notes

Fixture dimensions are nominal and conform to tolerances in ANSI Standard Z124.2.