

Ordering Information

Applicable product:		
Left outlet	K-1533	shown
Right outlet	K-1532	not shown
Drain	K-11660	recommended
Focal™ shower door or Forum™ shower door or Helios™ shower door	K-701018 or K-703020 or K-704010	recommended

Product Information

Fixture*:	basin area	top area	weight
Bathing well	48" x 22"	56" x 24"	95 lbs.
	water depth	capacity	
To overflow	9"	35 gals.	
Configuration			1-piece
* Approximate measurements for comparison only.			

Installation Notes

Refer to installation instructions included with fixture before beginning installation.

Fixture not drilled for supply fittings.

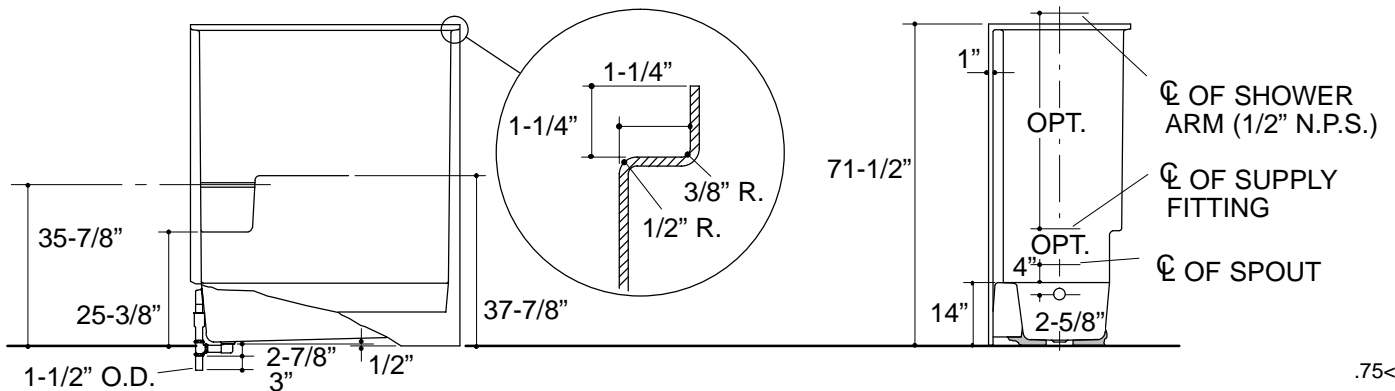
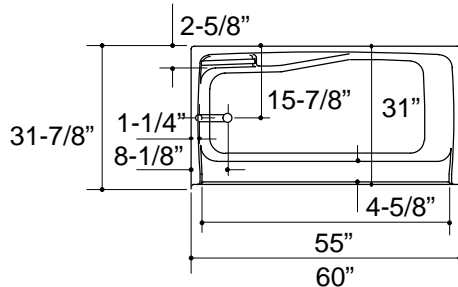
Shimming may be required to level fixture.

Roughing-In Notes

Fixture conform to ANSI Standard Z124.2. All dimensions are nominal.

No change in measurements if connected with drain illustrated.

Stud opening tolerance (+ 1/4" - 0"). When fire rated wall is specified, dimensions are to the inside of the wall board. Some shimming between stud frame and fixture may be required.



.75<132