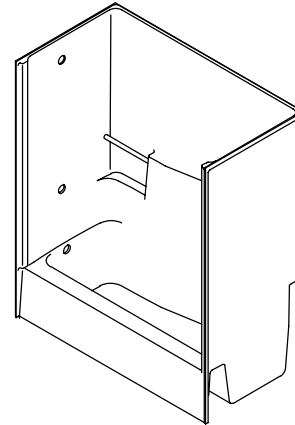


### BATH AND SHOWER MODULE

# K-1532, K-1533

#### FEATURES

- 60" x 31-7/8" x 71-1/2"
- Fiberglass (FRP)
- Left or right outlet
- Acrylic grab bar
- Built-in ledges
- Molded-in textured basin
- Regional availability



#### CODES/STANDARDS APPLICABLE

Specified model meets or exceeds the following:

- ANSI Z124.2
- IAPMO/UPC
- Canadian Standards Association (CSA)
- State of Massachusetts

#### COLORS/FINISHES

- 0 White
- 47 Almond
- 96 Biscuit

#### Accessories:

- CP Polished Chrome
- PB Polished Brass
- SH Bright Silver
- BH Bright Brass

#### SPECIFIED MODEL:

Model	Description	Colors/Finishes		
K-1532	Right outlet shower module	<input type="checkbox"/> White	<input type="checkbox"/> Almond	<input type="checkbox"/> Biscuit
K-1533	Left outlet shower module	<input type="checkbox"/> White	<input type="checkbox"/> Almond	<input type="checkbox"/> Biscuit

Recommended Accessories				
K-11660	Drain	<input type="checkbox"/> CP		<input type="checkbox"/> PB
K-701018	Focal™ shower door* <b>OR</b>	<input type="checkbox"/> SH	<input type="checkbox"/> BH	<input type="checkbox"/> White
K-703020	Forum™ shower door* <b>OR</b>	<input type="checkbox"/> SH	<input type="checkbox"/> BH	<input type="checkbox"/> White
K-704010	Helios™ shower door*	<input type="checkbox"/> SH	<input type="checkbox"/> BH	<input type="checkbox"/> White

\* Refer to Fixtures Price Book for glass options.

#### PRODUCT SPECIFICATION:

The one-piece bath and shower module shall be 60" in length, 31-7/8" in width, and 71-1/2" in height. Bath and shower module shall be made of fiberglass (FRP). Bath and shower module shall have either left or right outlet. Bath and shower module shall have an acrylic grab bar. Bath and shower module shall have built-in ledges. Bath and shower module shall have a molded-in textured basin. Shower module shall be Kohler Model K-\_\_\_\_\_-\_\_\_\_\_.

# COMPLIMENT™

## PRODUCT INFORMATION

Fixture*:	basin area	top area	weight
Bathing well	48" x 22"	56" x 24"	95 lbs.
	water depth	capacity	
To overflow	9"	35 gals.	
Configuration			1-piece
* Approximate measurements for comparison only.			

## INSTALLATION NOTES

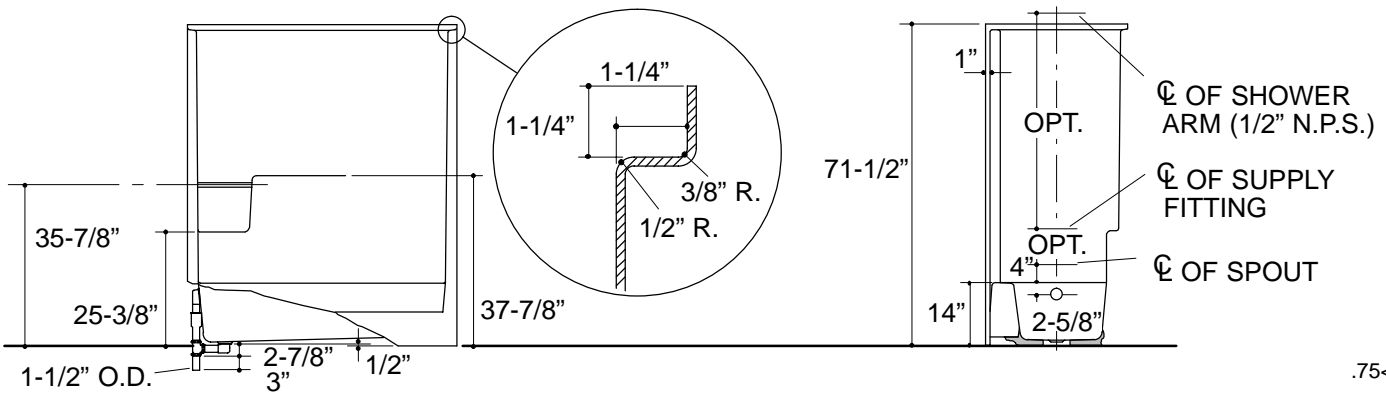
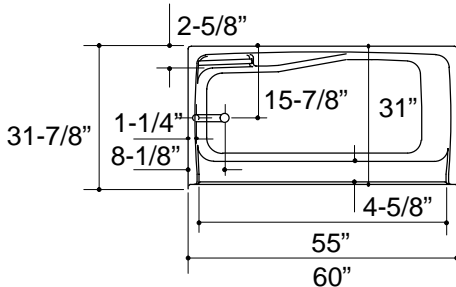
Fixture not drilled for supply fittings.

Shimming may be required to level fixture.

### Roughing-In Notes

No change in measurements if connected with drain illustrated.

Stud opening tolerance (+ 1/4" - 0"). When fire rated wall is specified, dimensions are to the inside of the wall board. Some shimming between stud frame and fixture may be required.



.75<132

## PRODUCT DIAGRAM