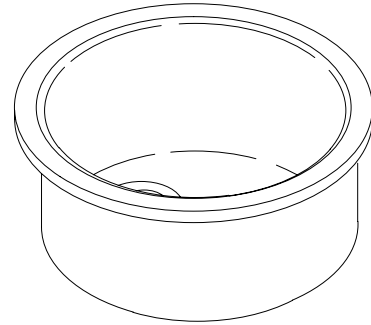


FEATURES

- 15" in diameter
- Cast iron
- Acid resistant enamel finish
- Undercounter or self-rimming
- Single compartment



CODES/STANDARDS APPLICABLE

Specified model meets or exceeds the following:

- ASME/ANSI A112.19.1M
- IAPMO/UPC
- Canadian Standards Association (CSA)
- State of Massachusetts

COLORS/FINISHES

- 0 White
- Other Refer to Fixtures Price Book for additional colors

Accessories:

- CP Polished Chrome
- Other Refer to Faucets Price Book for additional finishes
- NA None Applicable

SPECIFIED MODEL:

| Model | Description | Colors/Finishes | |
|--------|--------------------|----------------------------------|-------------------------------------|
| K-6565 | Entertainment sink | <input type="checkbox"/> 0 White | <input type="checkbox"/> Other_____ |

| Optional Accessories | | | |
|----------------------|---------------------------|----------------------------------|-------------------------------------|
| K-6514 | Hardwood cutting board | <input type="checkbox"/> NA | |
| K-6518 | Wire rinse basket | <input type="checkbox"/> 0 White | <input type="checkbox"/> Other_____ |
| K-6004 | Bottom basin rack | <input type="checkbox"/> 0 White | <input type="checkbox"/> Other_____ |
| K-8801 | Duostrainer sink strainer | <input type="checkbox"/> CP | <input type="checkbox"/> Other_____ |

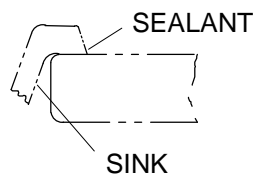
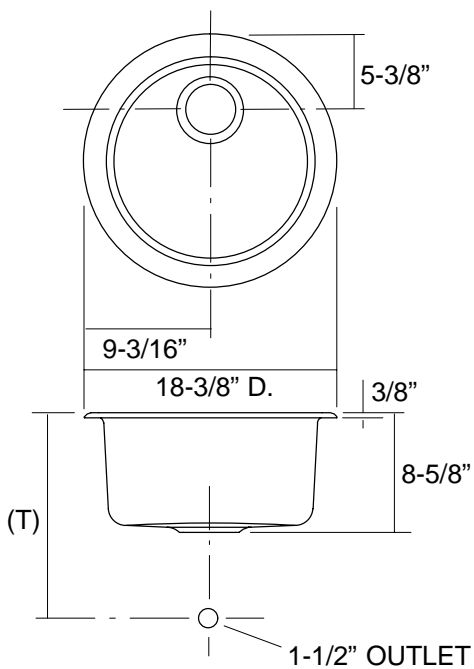
PRODUCT SPECIFICATION:

The round entertainment sink shall be 15" in diameter. Sink shall be made of cast iron with acid resistant enamel finish. Sink shall be single compartment. Sink shall be undercounter or self-rimming. Sink shall be Kohler Model K-6565-_____.

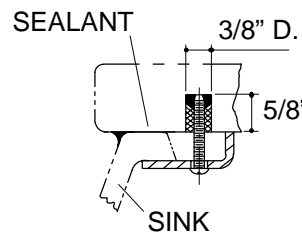
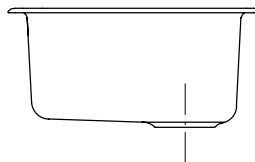
PORTO FINO™

PRODUCT INFORMATION

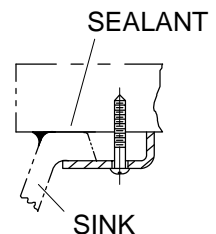
| | | | |
|---|-----------|------------|-------------|
| Fixture*: | | basin area | water depth |
| Sink | | 15" D. | 8" |
| Outlet | 3-5/8" D. | | |
| * Approximate measurements for comparison only. | | | |
| Included Components: | | | |
| Basin clamp assembly, undercounter | | 52047 | |
| Cutout template | | 112355-7 | |



**SELF-RIMMING
INSTALLATION**



**MARBLE SLAB
INSTALLATION**



**WOOD COUNTER
INSTALLATION**

NOTE: WATERPROOF UNPROTECTED OVERHANG AREA ON THE UNDERSIDE OF WOOD COUNTER

Roughing-In Notes

(T) Drain typically 14-1/4".

Supplied basin clamp assemblies require 1" minimum countertop thickness. Installer must supply anchors for thinner countertops.

1.15>116

PRODUCT DIAGRAM