

**Ordering Information**

Accessories/hardware:		
Hardwood cutting board	K-6566	optional

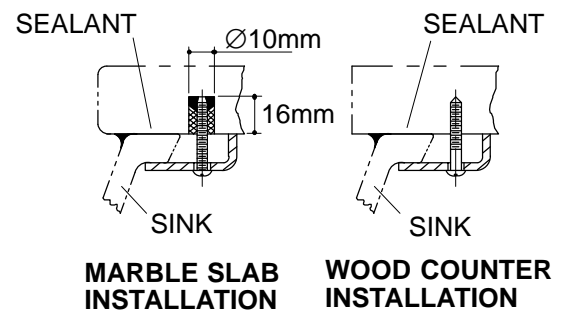
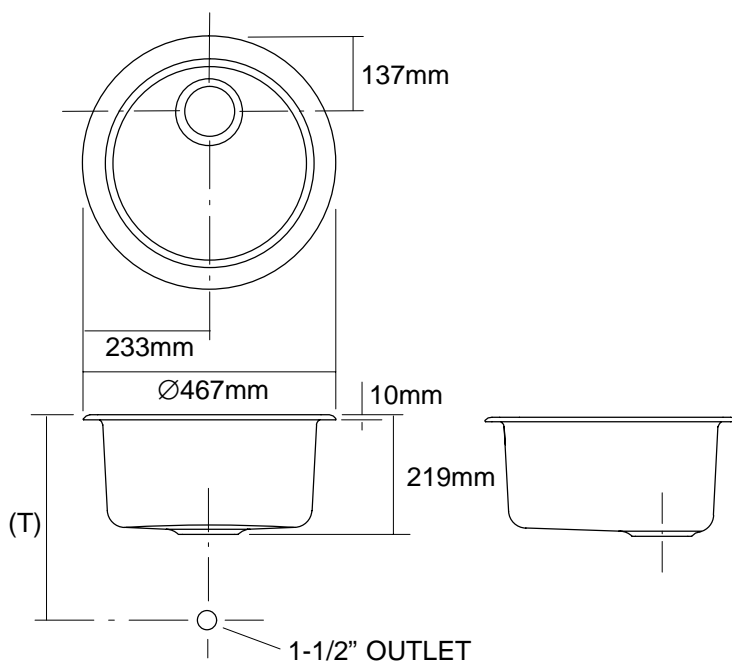
**Product Information**

Fixture*:		basin area	water depth
Sink		Ø381mm	203mm
Outlet	Ø92mm		
* Approximate measurements for comparison only.			

Included Components:	
Basin clamp assembly	52047
Cutout template	112615-X2

**Installation Notes**

Refer to installation instructions included with fixture before beginning installation.



NOTE: WATERPROOF UNPROTECTED OVERHANG AREA ON THE UNDERSIDE OF WOOD COUNTER

<b>Roughing-In Notes</b>
Fixture dimensions are nominal and conform to tolerances in ASME/ANSI Standard A112.19.1M.
(T) Drain typically 362mm.
Supplied basin clamp assemblies require 25mm minimum countertop thickness. Installer must supply anchors for thinner countertops.

1.15>116