

**Ordering Information**

Accessories/hardware:		
Accessory tray	K-6556	optional

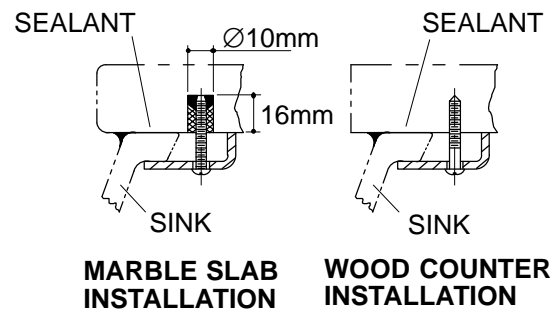
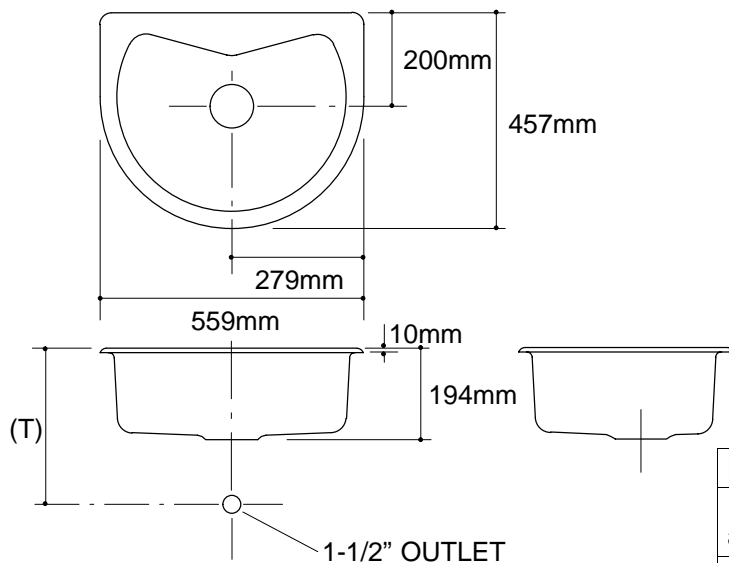
**Product Information**

Fixture*:		basin area	water depth
Sink		483 x 330mm	178mm
Outlet	Ø92mm		
* Approximate measurements for comparison only.			

Included Components:	
Basin clamp assembly	52047
Cutout template	112616-X2

**Installation Notes**

Refer to installation instructions included with fixture before beginning installation.



**NOTE: WATERPROOF UNPROTECTED OVERHANG AREA ON THE UNDERSIDE OF WOOD COUNTER**

**Roughing-In Notes**

Fixture dimensions are nominal and conform to tolerances in ASME/ANSI Standard A112.19.1M.

(T) Drain typically 330mm.

Supplied basin clamp assemblies require 25mm minimum countertop thickness. Installer must supply anchors for thinner countertops.