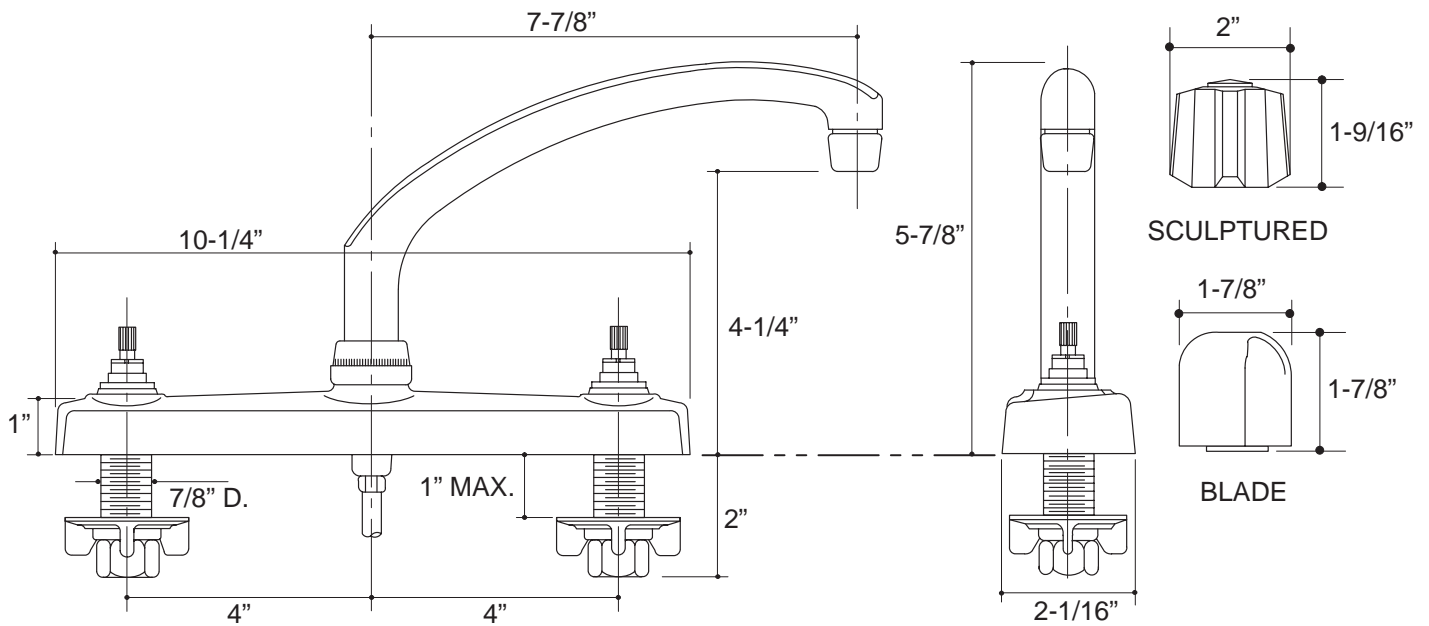


Ordering Information

Applicable faucet without spray:	
Metal handles	K-11920-U
Sculptured acrylic handles	K-11920-P
ADA Blade handle is ADA compliant	



516

K-11920 Trend[®] Kitchen Sink Faucet
 112684-1-AA (A)

NOTES: