

**KITCHEN SINK FAUCET
K-11925**

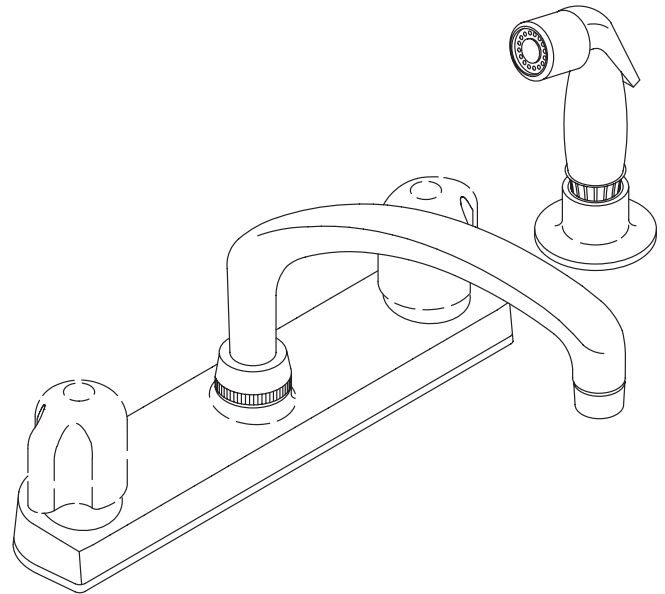
FEATURES

- Brass construction
- For 8" centers
- Brass valve bodies
- Compression valves
- 7-7/8" swing spout
- 2.2 gallons per minute
- Available with metal blade or sculptured acrylic handles
- Black handspray

CODES/STANDARDS APPLICABLE

Specified model meets or exceeds the following:



- ASME/ANSI A112.18.1M
- CSA B125
- Energy Policy Act of 1992
- IAPMO/UPC
- NSF 61



COLORS/FINISHES

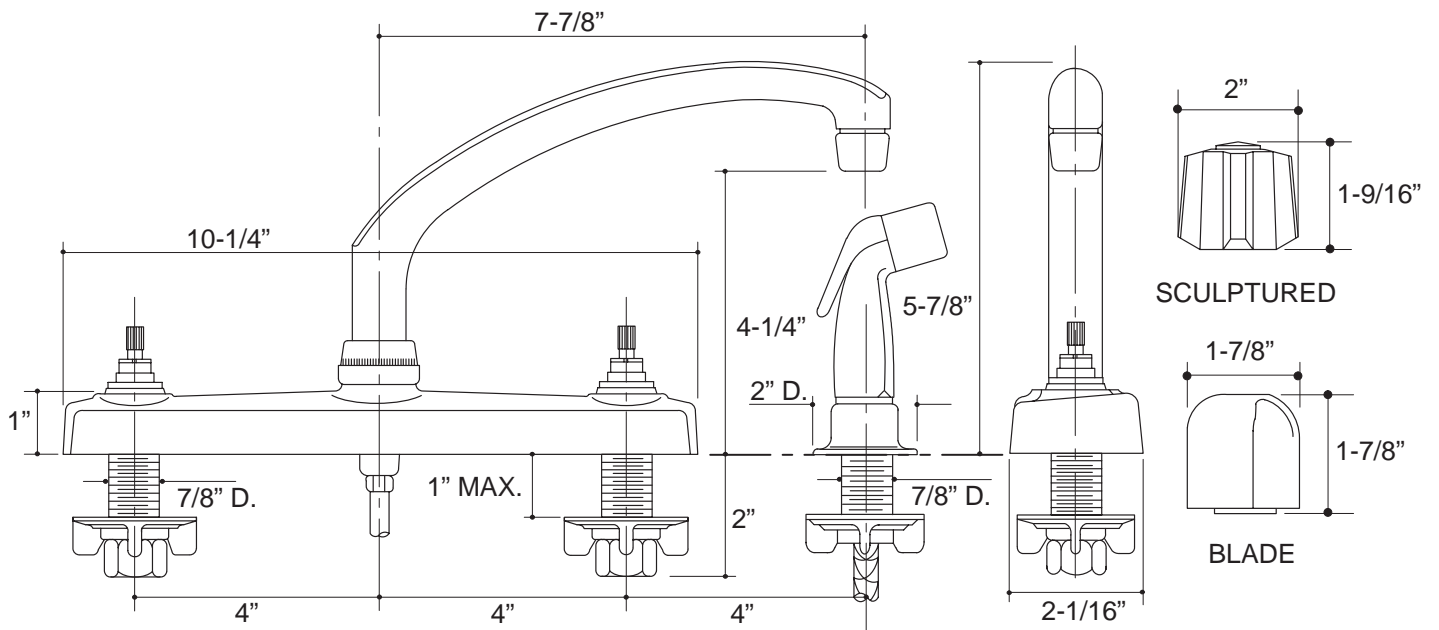
- CP Polished Chrome

SPECIFIED MODEL:

Model	Description	 <input type="checkbox"/> ADA	
K-11925-U	With Metal Blade Handles	<input type="checkbox"/> CP	
K-11925-P	With Sculptured Acrylic Handles		<input type="checkbox"/> CP

PRODUCT SPECIFICATION:

Two-handle kitchen sink faucet shall be of brass construction. Faucet shall feature brass valve bodies. Faucet shall also feature compression valves. Product shall include 8" centers, 7-7/8" swing spout, metal blade or sculptured acrylic handles, and black handspray. Faucet shall be Kohler Model K-11925-____-CP.



516

PRODUCT DIAGRAM