

**LAUNDRY TRAY FAUCET  
K-11935-U**

ADA

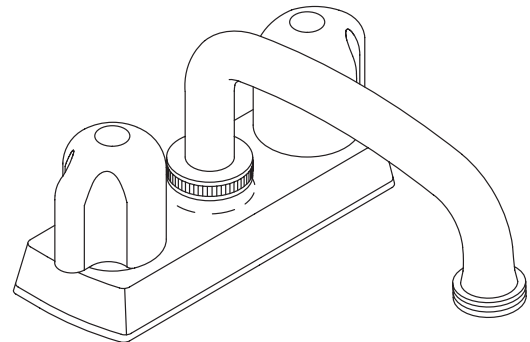
**FEATURES**

- Brass construction
- For 4" centers
- Brass valve bodies
- Compression valves
- 5-1/2" threaded swing spout for hose connection
- Metal blade handles

**CODES/STANDARDS APPLICABLE**

Specified model meets or exceeds the following:

- ASME/ANSI A112.18.1M
- CSA B125
- IAPMO/UPC



**COLORS/FINISHES**

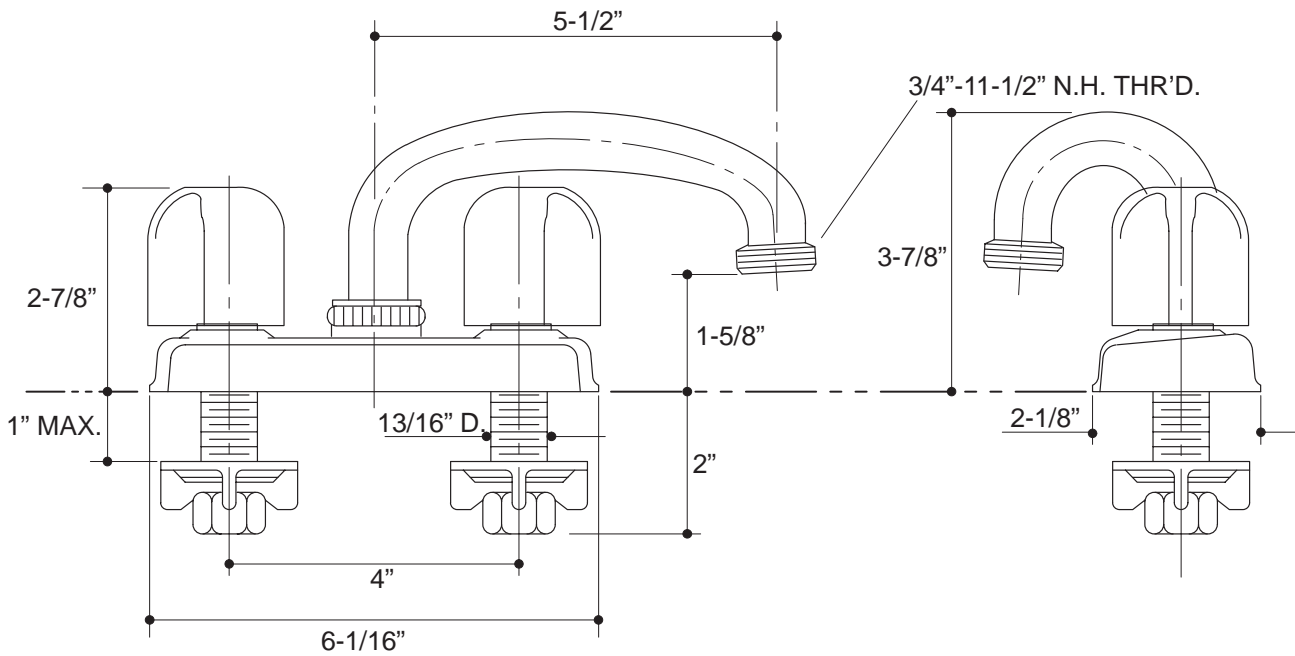
- CP Polished Chrome

**SPECIFIED MODEL:**

Model	Description	
K-11935-U	Trend Laundry Tray Faucet	<input type="checkbox"/> CP

**PRODUCT SPECIFICATION:**

Two-handle centerset laundry tray faucet shall be of brass construction. Faucet shall feature brass valve bodies. Faucet shall also feature compression valves. Product shall include 4" centers, 5-1/2" threaded swing spout for hose connection, and metal blade handles. Faucet shall be Kohler Model K-11935-U-CP.



PRODUCT DIAGRAM