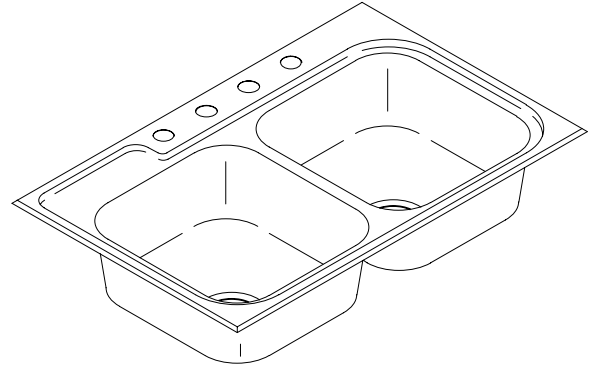


### SELF-RIMMING KITCHEN SINK

# K-3310

#### FEATURES

- 33" x 21-1/4"
- 20 gauge stainless steel
- Self-rimming
- Double (equal) compartment
- 3-hole (K-3310-3) or 4-hole (K-3310-4) faucet punching
- Includes installation hardware
- Highlighted bowl bead



#### CODES/STANDARDS APPLICABLE

Specified model meets or exceeds the following:

- IAPMO/UPC

#### COLORS/FINISHES

- NA None Applicable

#### Accessories:

- CP Polished Chrome
- NA None Applicable
- Other Refer to Price Book for additional finishes

#### SPECIFIED MODEL:

Model	Description	Colors/Finishes	
K-3310-3	3-hole sink	<input type="checkbox"/> NA	
K-3310-4	4-hole sink	<input type="checkbox"/> NA	
Optional Accessories			
K-3293	Hardwood cutting board (for either basin)	<input type="checkbox"/> NA	
K-8801	Duostrainer sink strainer	<input type="checkbox"/> CP	<input type="checkbox"/> Other _____

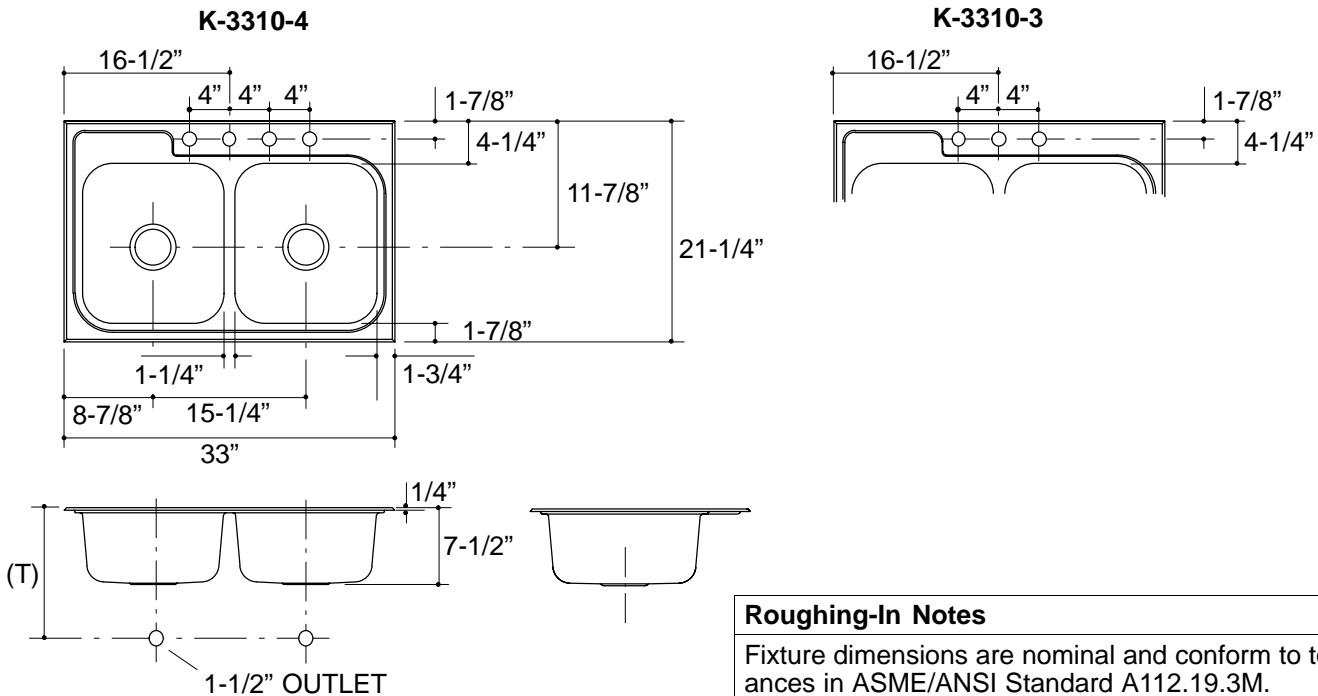
#### PRODUCT SPECIFICATION:

The self-rimming sink shall be 33" in length, and 21-1/4" in width. Sink shall be made of 20 gauge stainless steel. Sink shall be double (equal) compartment. Sink shall be 3-hole (K-3310-3), or 4-hole (K-3310-4) faucet punched. Sink shall include installation hardware. Sink shall have highlighted bowl bead. Sink shall be Kohler Model K-3310-\_\_\_\_\_-\_\_\_\_\_-\_\_\_\_\_.

# LYRIC

## PRODUCT INFORMATION

Fixture*:		basin area	water depth
Sink		14" x 15"	7"
Outlet	3-5/8" D.		
Faucet holes	1-7/16" D.		
* Approximate measurements for comparison only.			
Included Components:			
Fastener pack		90208	



<b>Roughing-In Notes</b>	
Fixture dimensions are nominal and conform to tolerances in ASME/ANSI Standard A112.19.3M.	
(T) Drain typically 12-13/16".	
Cutout	32-1/2" x 20-3/4" with 1/2" radius corners.

.85<116

## PRODUCT DIAGRAM