

Ordering Information

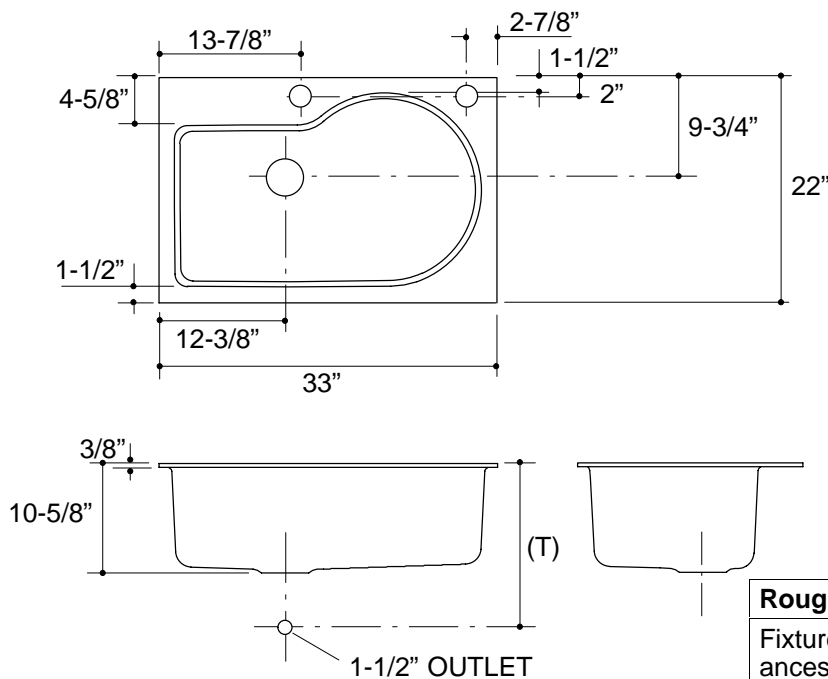
Applicable product:		
Two-hole sink	K-5986-2U	shown
Accessories/hardware:		
Hardwood cutting board	K-6512	optional
Accessory tray	K-6556	optional
Bottom basin rack	K-6006	optional

Product Information

Fixture*:		basin area	water depth
Sink		30" x 19"	10"
Outlet	3-5/8" D.		
Faucet holes	2-3/8" D.		
* Approximate measurements for comparison only.			
Included Components:			
Cutout template			112679-7

Installation Notes

Refer to installation instructions included with fixture before beginning installation.



Roughing-In Notes

Fixture dimensions are nominal and conform to tolerances in ASME/ANSI Standard A112.19.1M.

(T) Drain typically 16".

.85<116