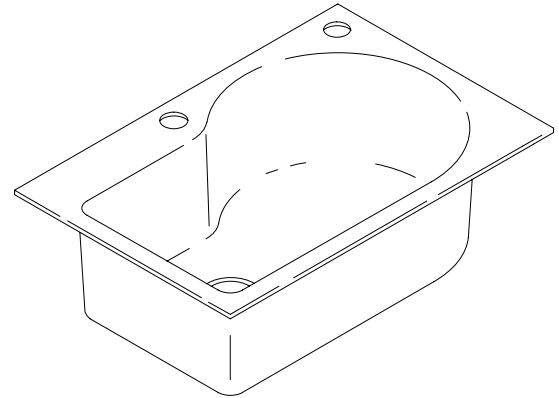


UNDERCOUNTER KITCHEN SINK

K-5986-U

FEATURES

- 33" x 22"
- Cast iron
- Acid resistant enamel finish
- Undercounter
- Single compartment
- 2-hole drilling (oversized)



CODES/STANDARDS APPLICABLE

Specified model meets or exceeds the following:

- ASME/ANSI A112.19.1M
- IAPMO/UPC
- State of Massachusetts

COLORS/FINISHES

- 0 White
- Other Refer to Fixtures Price Book for additional colors

Accessories:

- CP Polished Chrome
- NA None Applicable
- Other Refer to Price Book for additional finishes

SPECIFIED MODEL:

Model	Description	Colors/Finishes	
K-5986-2U	2-hole sink	<input type="checkbox"/> 0 White	<input type="checkbox"/> Other _____

Recommended Accessories			
K-9000	Trap	<input type="checkbox"/> CP	
Optional Accessories			
K-6512	Hardwood cutting board (for left side of sink compartment)	<input type="checkbox"/> NA	
K-6556	Entertainer™ accessory tray (for right side of sink compartment)	<input type="checkbox"/> NA	
K-6006	Bottom basin rack	<input type="checkbox"/> 0 White	<input type="checkbox"/> Other _____
K-8801	Duostrainer sink strainer	<input type="checkbox"/> CP	<input type="checkbox"/> Other _____

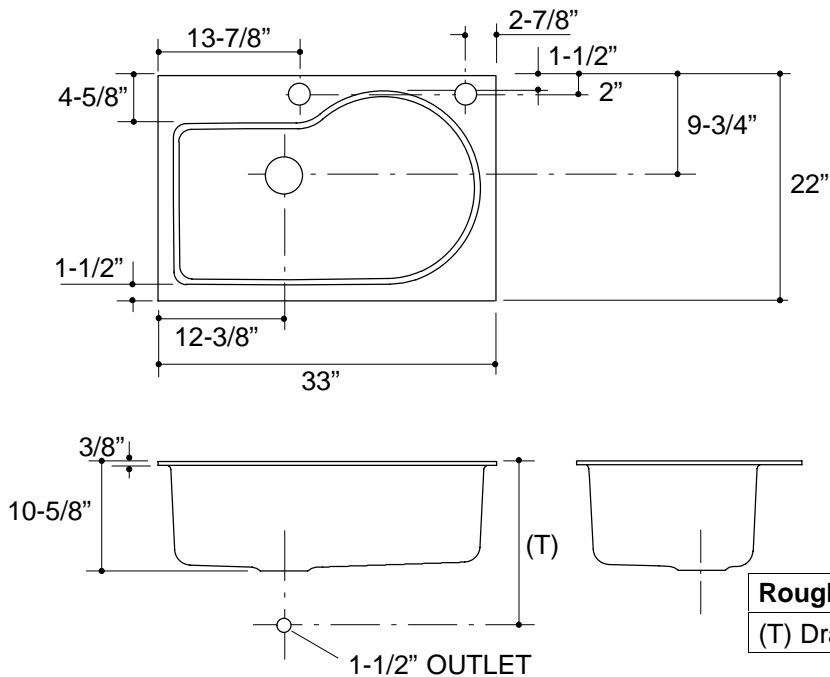
PRODUCT SPECIFICATION:

The undercounter mount sink shall be 33" in length, and 22" in width. Sink shall be made of cast iron with acid resistant enamel finish. Sink shall be single compartment. Sink shall be 2-hole drilled (oversized). Sink shall be Kohler Model K-5986-2U-_____.

ENTRÉE™

PRODUCT INFORMATION

Fixture*:		basin area	water depth
Sink		30" x 19"	10"
Outlet	3-5/8" D.		
Faucet holes	2-3/8" D.		
* Approximate measurements for comparison only.			
Included Components:			
Cutout template		112679	



Roughing-In Notes

(T) Drain typically 16".

.85<116

PRODUCT DIAGRAM