

Ordering Information

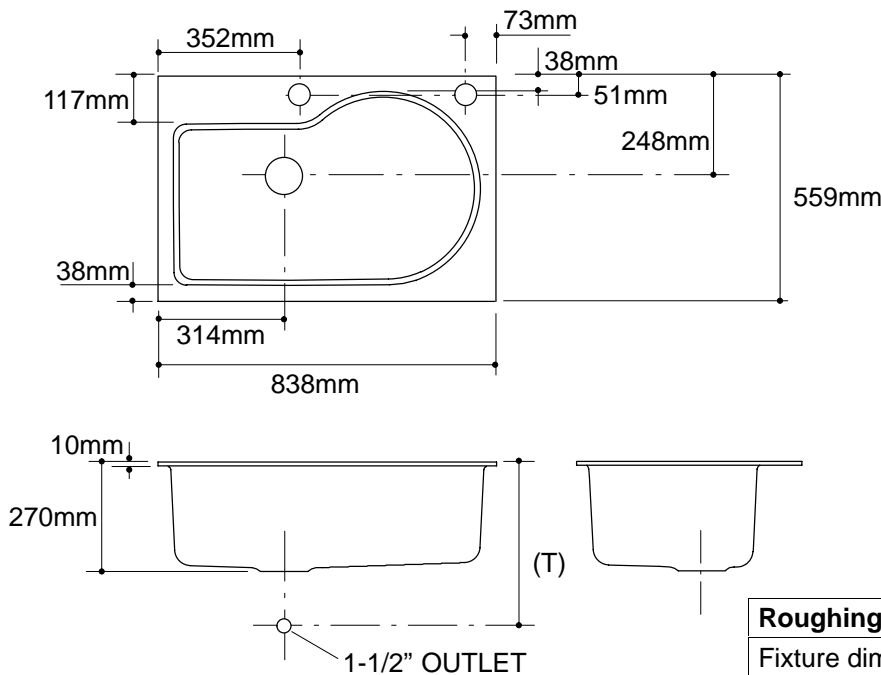
| | | |
|------------------------|-----------|----------|
| Applicable product: | | |
| Two-hole sink | K-5986-2U | shown |
| Accessories/hardware: | | |
| Hardwood cutting board | K-6512 | optional |
| Accessory tray | K-6556 | optional |
| Bottom basin rack | K-6006 | optional |

Product Information

| | | | |
|---|-------|-------------|-------------|
| Fixture*: | | basin area | water depth |
| Sink | | 762 x 483mm | 254mm |
| Outlet | Ø92mm | | |
| Faucet holes | Ø60mm | | |
| * Approximate measurements for comparison only. | | | |
| Included Components: | | | |
| Cutout template | | | 112679-7 |

Installation Notes

Refer to installation instructions included with fixture before beginning installation.



Roughing-In Notes

Fixture dimensions are nominal and conform to tolerances in ASME/ANSI Standard A112.19.1M.

(T) Drain typically 406mm.

.85<116