

Ordering Information

Accessories/hardware:		
Drain	K-7166-AF	recommended
Seawall faucet**	varies	required
Undermount installation kit	K-580	optional
Vinyl tiling-in bead*	K-1179	optional
A vacuum breaker for the Seawall spout is required and included with K-9570 Seawall faucet. Local codes may require an additional vacuum breaker for the hand-shower.		
*Use K-1179 vinyl bead when wall material contacts any top surface of bath.		
**K-868 predrilled for Seawall faucets.		

Product Information

Fixture*:	basin area	top area	weight
Bathing well	1194 x 622mm	1657 x 895mm	204 Kg.
	water depth	capacity	
To overflow	419mm	416 litres	

* Approximate measurements for comparison only.

Installation Notes

Refer to installation instructions included with fixture before beginning installation.

Roughing-In Notes

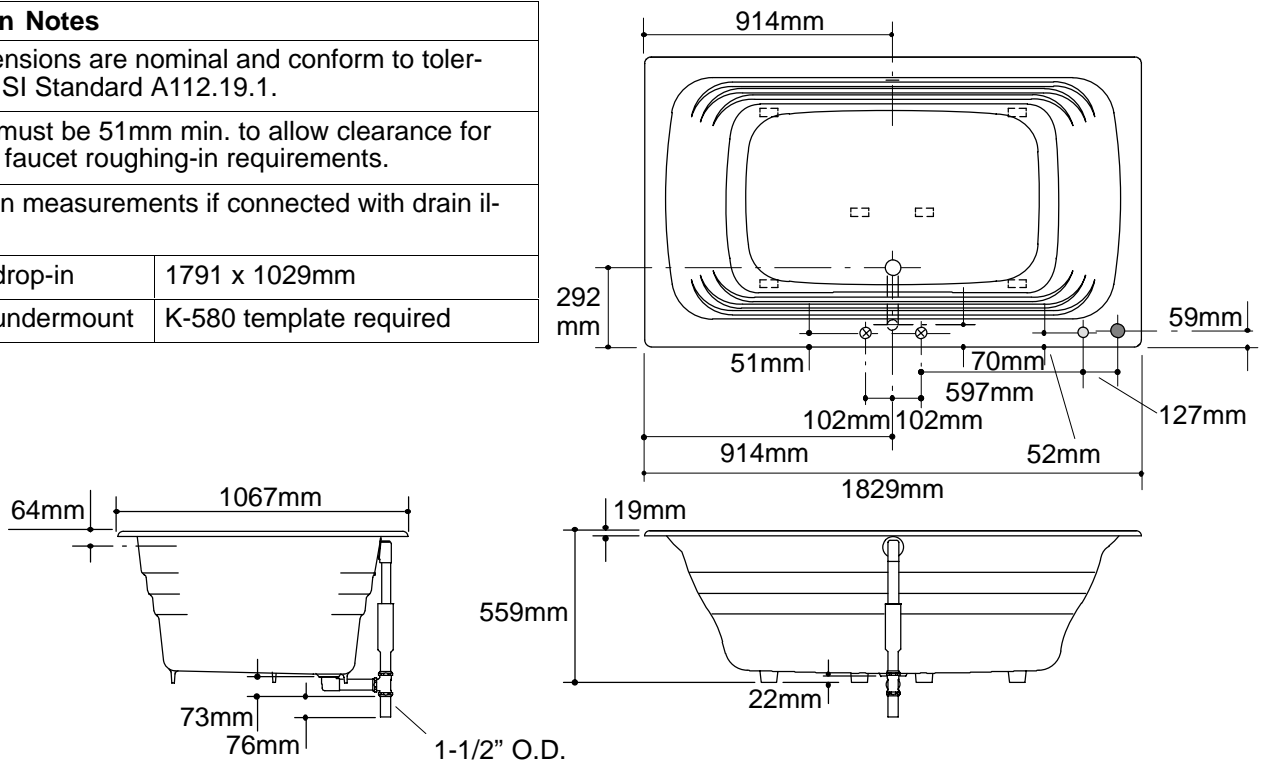
Fixture dimensions are nominal and conform to tolerances in ANSI Standard A112.19.1.

Deck width must be 51mm min. to allow clearance for fittings. See faucet roughing-in requirements.

No change in measurements if connected with drain illustrated.

Cut-out for drop-in 1791 x 1029mm

Cut-out for undermount K-580 template required



1.15>132

K-868 Seawall Bath
112792-1M-BA (-)

KOHLER®