

Ordering Information

Accessories/hardware:		
Hardwood cutting board	K-5928	optional
Wire rinse basket	K-5926	optional

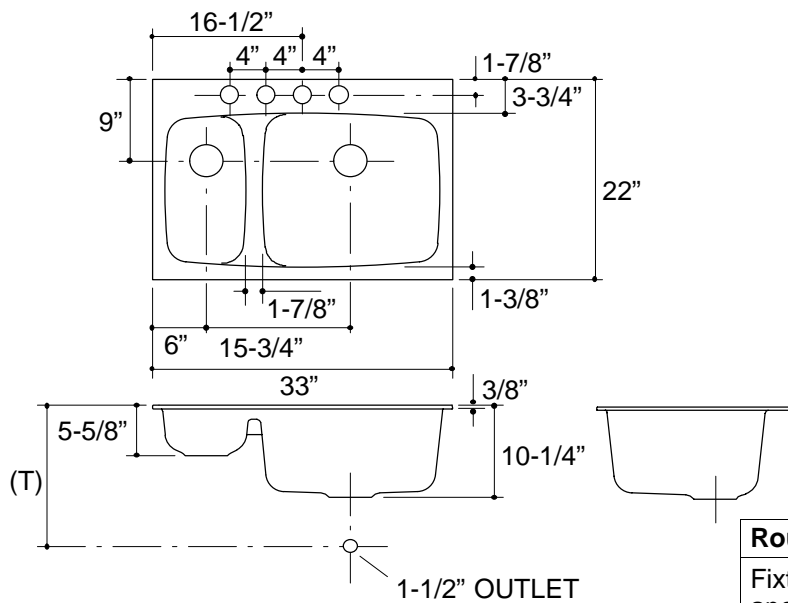
Product Information

Fixture*:		basin area	water depth
Sink		20" x 17"	8-3/8"
Disposal		9" x 16"	3-3/4"
Outlet	3-5/8" D.		
Faucet holes	2-3/8" D.		
* Approximate measurements for comparison only.			

Included Components:	
Cutout template	112831

Installation Notes

Refer to installation instructions included with fixture before beginning installation.



Roughing-In Notes
Fixture dimensions are nominal and conform to tolerances in ASME/ANSI Standard A112.19.1M.
For disposal unit, consult supplier for roughing-in measurements.
(T) Drain typically 14-7/8".

.75<116