

Ordering Information

Accessories/hardware:		
Hardwood cutting board	K-6507	optional
Wire rinse basket	K-6510	optional
Bottom basin rack	K-6010	optional

Product Information

Fixture*:		basin area	water depth
Sink		14" x 17"	6-3/4"
Outlets	3-7/8" D.		
Faucet holes	2-3/8" D.		

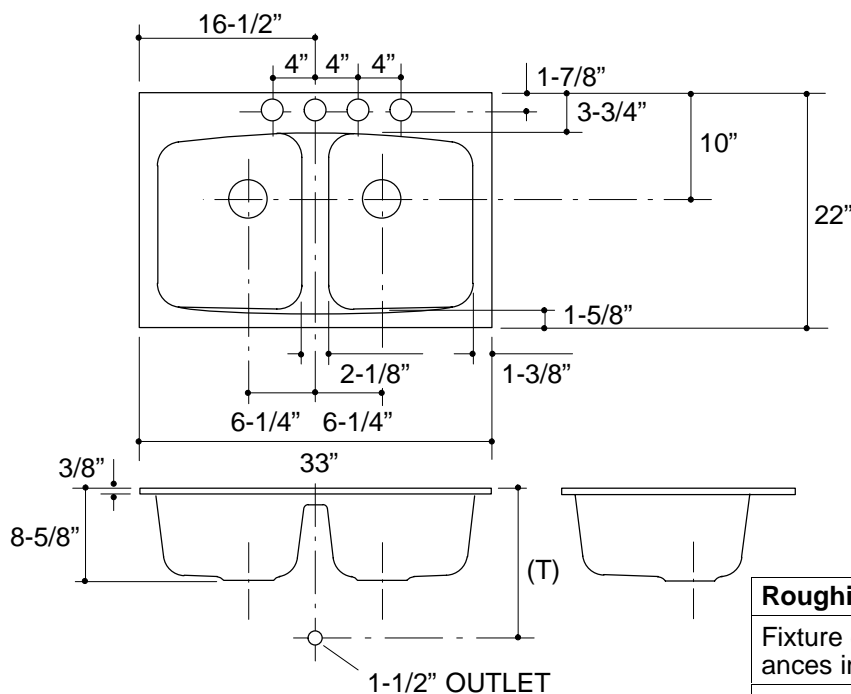
* Approximate measurements for comparison only.

Included Components:

Cutout template	114757-7
-----------------	----------

Installation Notes

Refer to installation instructions included with fixture before beginning installation.



Roughing-In Notes

Fixture dimensions are nominal and conform to tolerances in ASME/ANSI Standard A112.19.1M.

(T) Drain typically 14-7/8".

25>.9