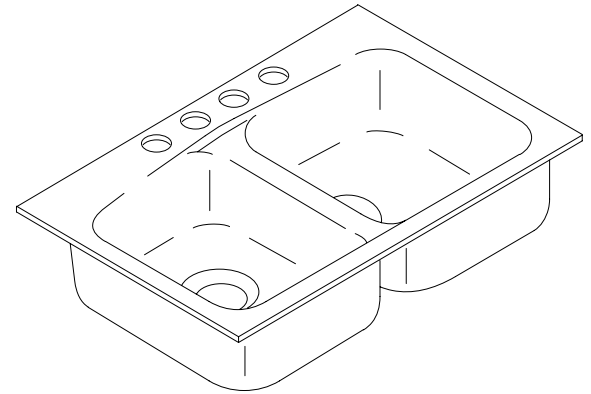


UNDERCOUNTER KITCHEN SINK

K-5898-4U

FEATURES

- 33" x 22"
- Cast iron
- Acid resistant enamel finish
- Undercounter
- Double (equal) compartment
- 4-hole drilling (oversized)



CODES/STANDARDS APPLICABLE

Specified model meets or exceeds the following:

- ASME/ANSI A112.19.1M
- IAPMO/UPC
- Canadian Standards Association (CSA)
- State of Massachusetts

COLORS/FINISHES

- 0 White
- Other Refer to Fixtures Price Book for additional colors

Accessories:

- CP Polished Chrome
- 0 White
- Other Refer to Fixtures Price Book for additional colors
- NA None Applicable

SPECIFIED MODEL:

Model	Description	Colors/Finishes	
K-5898-4U	4-hole sink (oversized)	<input type="checkbox"/> 0 White	<input type="checkbox"/> Other_____

Recommended Accessories			
K-9000	Trap	<input type="checkbox"/> CP	
Optional Accessories			
K-6507	Hardwood cutting board	<input type="checkbox"/> NA	
K-6510	Wire rinse basket	<input type="checkbox"/> 0 White	<input type="checkbox"/> Other_____
K-6010	Bottom basin rack	<input type="checkbox"/> 0 White	<input type="checkbox"/> Other_____
K-8801	Duostrainer sink strainer	<input type="checkbox"/> CP	<input type="checkbox"/> Other_____

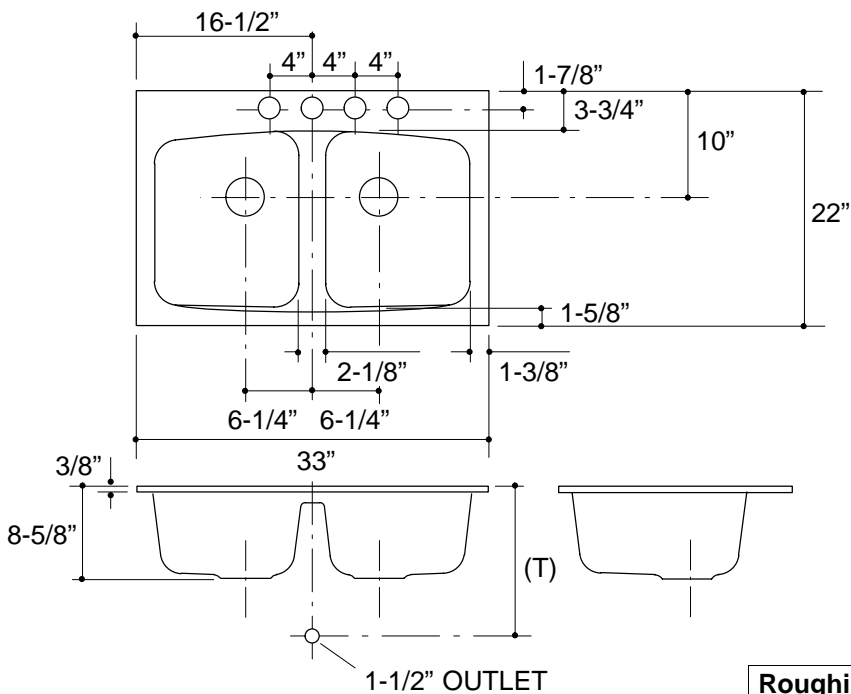
PRODUCT SPECIFICATION:

The undercounter sink shall be 33" in length, and 22" in width. Sink shall be made of cast iron with acid resistant enamel finish. Sink shall be undercounter double (equal) compartment. Sink shall be 4-hole drilled (oversized holes). Sink shall be Kohler Model K-5898-4U-_____.

BROOKFIELD™

PRODUCT INFORMATION

Fixture*:		basin area	water depth
Sink		14" x 17"	6-3/4"
Outlets	3-7/8" D.		
Faucet holes	2-3/8" D.		
* Approximate measurements for comparison only.			
Included Components:			
Cutout template		114757-7	



Roughing-In Notes

(T) Drain typically 14-7/8".

25>.9

PRODUCT DIAGRAM

K-5898-4U Brookfield Sink

Page 2 of 2

112846-4-CA (A)

THE BOLD LOOK
OF **KOHLER**®