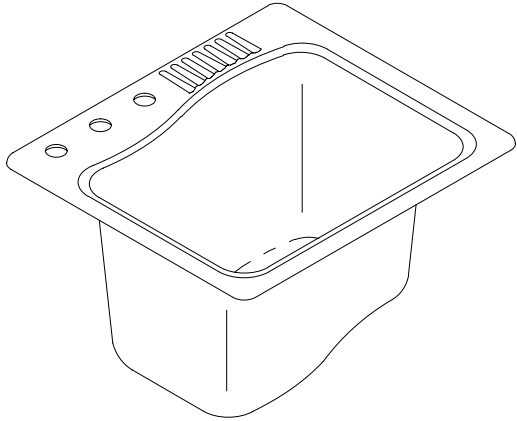


SELF-RIMMING LAUNDRY SINK

K-6703, K-6704

FEATURES

- 25" x 22"
- Cast iron
- Acid resistant enamel finish
- Self-rimming
- Single compartment
- 3-hole drilling for 8" centers faucet (K-6703-3)
- 3-hole drilling for 4" centers faucet (K-6704-3)
- Soaking pan and wire rack included



CODES/STANDARDS APPLICABLE

Specified model meets or exceeds the following:

- ASME/ANSI A112.19.1M
- Canadian Standards Association (CSA)

COLORS/FINISHES

- 0 White
- Other Refer to Fixtures Price Book for additional colors

Accessories:

- CP Polished Chrome
- Other Refer to Price Book for additional finishes

SPECIFIED MODEL:

Model	Description	Colors/Finishes	
K-6703-3	8" centers faucet sink	<input type="checkbox"/> 0 White	<input type="checkbox"/> Other_____
K-6704-3	4" centers faucet sink	<input type="checkbox"/> 0 White	<input type="checkbox"/> Other_____
Optional Accessories			
K-8801	Duostrainer sink strainer	<input type="checkbox"/> CP	<input type="checkbox"/> Other_____

PRODUCT SPECIFICATION:

The self-rimming laundry sink shall be 25" in length, and 22" in width. Sink shall be made of cast iron with acid resistant enamel finish. Sink shall be single compartment. Sink shall be 3-hole drilled for 8" centers faucet (K-6703-3) or 4" centers faucet (K-6704-3). Sink shall include soaking pan and wire rack. Sink shall be Kohler Model K-_____-3-_____.

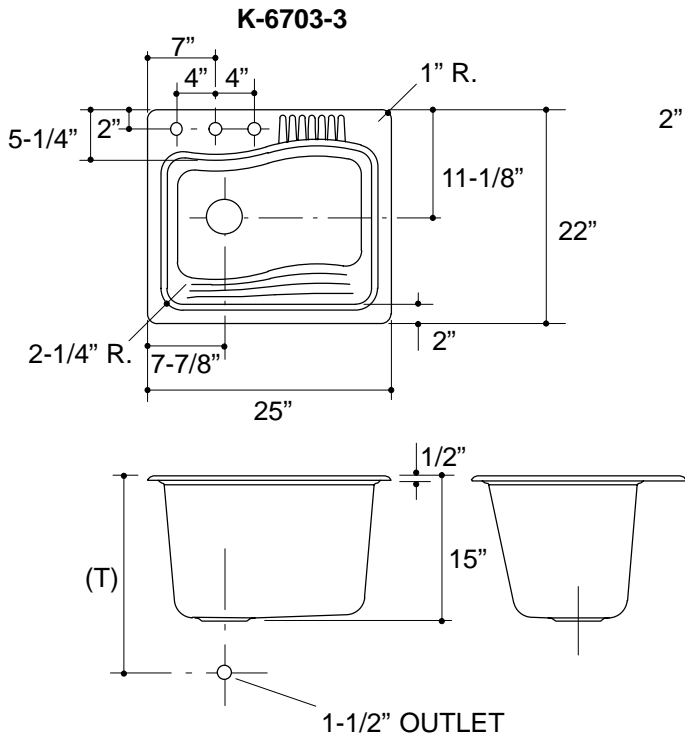
RIVER FALLS™

PRODUCT INFORMATION

Fixture*:		basin area	water depth
Sink		21" x 16"	14-3/8"
Water capacity	19 gals.		
Outlet	3-5/8" D.		
Faucet holes	1-3/8" D.		

* Approximate measurements for comparison only.

Included Components:	
Laundry tray	91684
Wire rack	97198



Roughing-In Notes

Fixture dimensions are nominal and conform to tolerances in ASME/ANSI Standard A112.19.1M.

(T) Drain typically 20-5/16".

Cutout 23-1/2" x 20-1/2" with 1" radius corners.

.9<116

PRODUCT DIAGRAM

K-6703, K-6704 River Falls™ Sink

Page 2 of 2

113006-4-CA (A)

THE BOLD LOOK
OF **KOHLER**®