

Ordering Information

Applicable product:		
203mm centers sink	K-6703-3	shown
102mm centers sink	K-6704-3	not shown

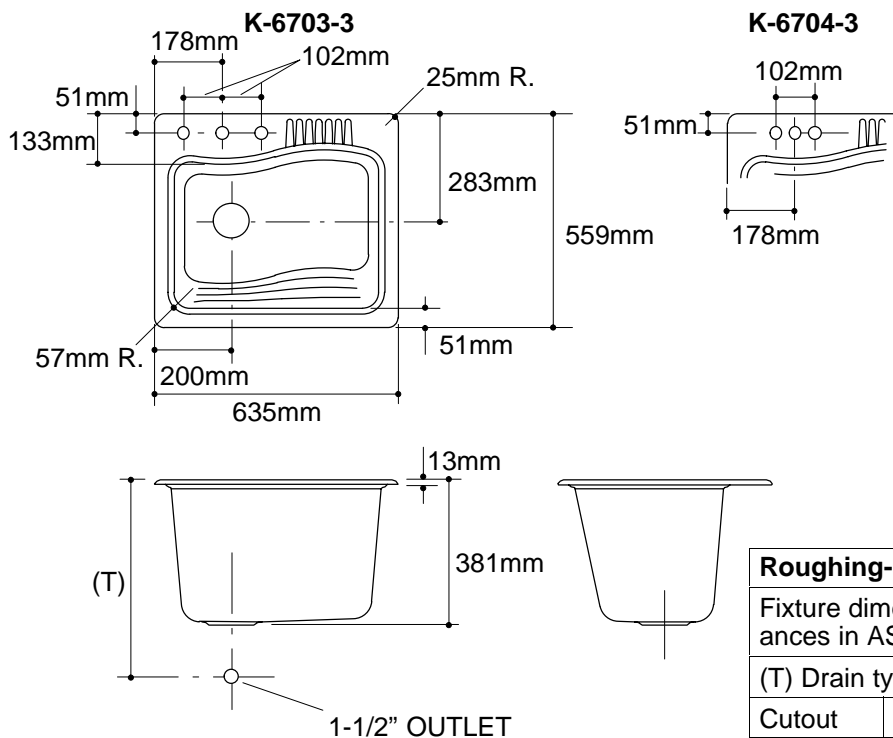
Product Information

Fixture*:		basin area	water depth
Sink		533 x 406mm	365mm
Water capacity	72 litres		
Outlet	Ø92mm		
Faucet holes	Ø35mm		
* Approximate measurements for comparison only.			

Included Components:	
Laundry tray	91684
Wire rack	97198

Installation Notes

Refer to installation instructions included with fixture before beginning installation.



Roughing-In Notes

Fixture dimensions are nominal and conform to tolerances in ASME/ANSI Standard A112.19.1M.

(T) Drain typically 516mm.

Cutout 597 x 521mm with 25mm radius corners.

.9<116