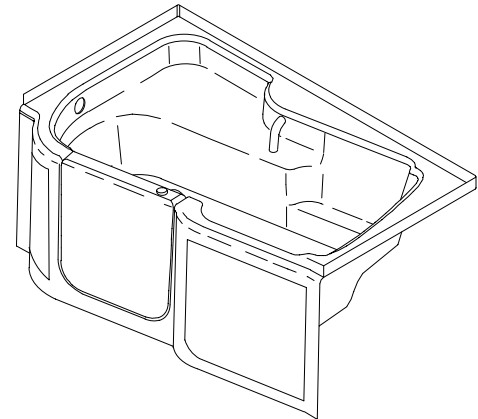


# K-1353, K-1354

## FEATURES

- 60" x 37-3/4" x 24"
- Fiberglass (FRP)
- Left or right outlet
- Integral apron
- Hinged entry door with Hydroloc™ seal
- Folding RediSeat™
- Fits into standard 60" x 32" bath opening



## CODES/STANDARDS APPLICABLE

Specified model meets or exceeds the following:

- ANSI Z124.1
- IAPMO/UPC
- Underwriters Laboratories (UL)
- Canadian Standards Association (CSA)
- State of Massachusetts
- Dade County, Florida

## COLORS/FINISHES

- 0 White
- Other Refer to Fixtures Price Book for additional colors

### Accessories:

- CP Polished Chrome
- PB Polished Brass
- Other Refer to Faucets Price Book for additional finishes

## SPECIFIED MODEL:

Model	Description	Colors/Finishes	
K-1353	Bath with outlet at left	<input type="checkbox"/> 0 White	<input type="checkbox"/> Other_____
K-1354	Bath with outlet at right	<input type="checkbox"/> 0 White	<input type="checkbox"/> Other_____

Recommended Accessories			
K-7167	Drain	<input type="checkbox"/> CP	<input type="checkbox"/> PB <input type="checkbox"/> Other_____

## PRODUCT SPECIFICATION:

The bath shall be 60" in length, 37-3/4" in width, and 24" in height. Bath shall be made of fiberglass (FRP). Bath shall have an outlet left or right. Bath shall have integral apron. Bath shall have hinged entry door with Hydroloc™ seal and folding RediSeat™. Bath shall fit into standard 60" x 32" bath opening. Bath shall be Kohler Model K-\_\_\_\_\_-\_\_\_\_\_.

# PRECEDENCE™

## REQUIRED ELECTRICAL SERVICE

Circuit must be protected with Class A Ground-Fault Circuit-Interrupter (GFCI):

Door seal system | 120 V., 60 Hz, 20 A.

## PRODUCT INFORMATION

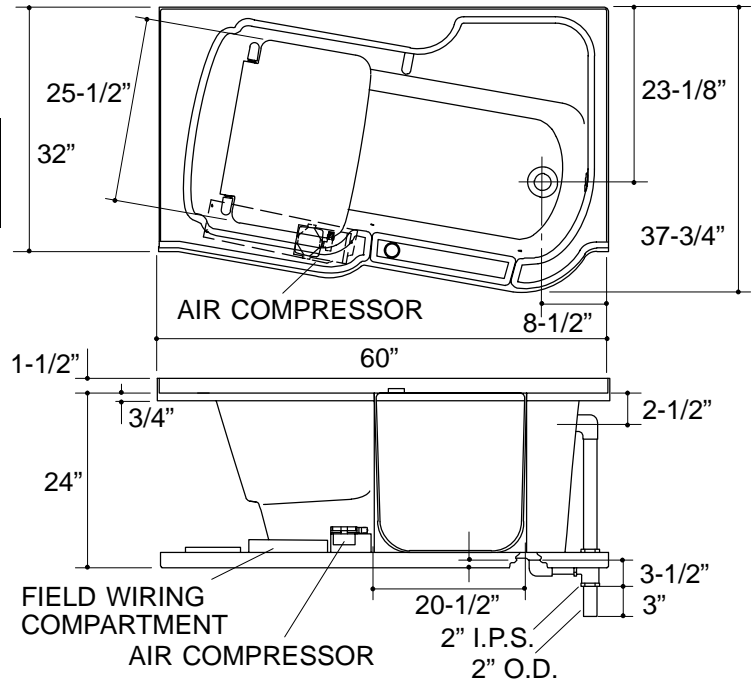
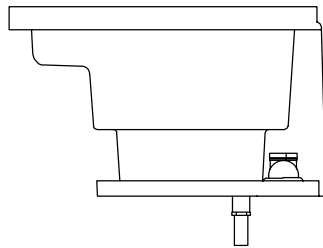
Fixture*:	basin area	top area	weight
Bathing well	43" x 20"	52" x 25"	143 lbs.
	water depth	capacity	
To overflow	19-1/4"	80 gals.	
* Approximate measurements for comparison only.			

## INSTALLATION NOTES

Finished floor thickness 1/2" max. above bottom of support base pan. For thicker flooring, provide additional subflooring under bath.

### Roughing-In Notes

No change in measurements if connected with drain illustrated.



1.25>132

## PRODUCT DIAGRAM