

**KITCHEN SINK BASE FAUCET
K-8220-K**

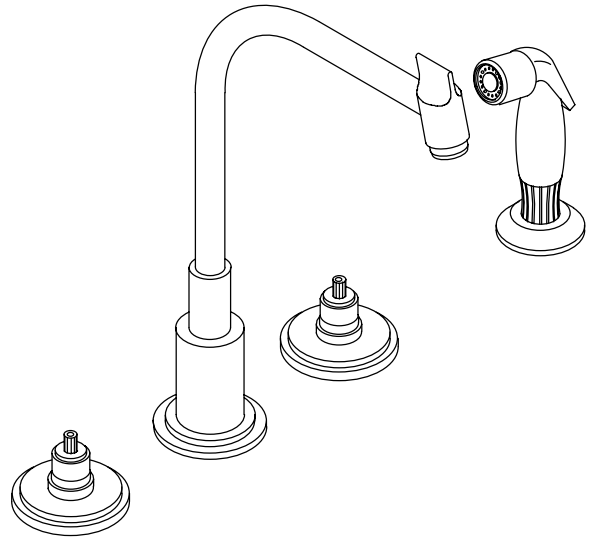
FEATURES

- Brass construction
- Flexible connections
- Brass valve bodies
- Quarter-turn washerless ceramic disc valves
- 8" Multi-Swivel™ swing spout
- Rotating aerator
- 2.2 gallons per minute
- Variety of handle style options
- White handspray

CODES/STANDARDS APPLICABLE

Specified model meets or exceeds the following:

- ASME/ANSI A112.18.1M
- Energy Policy Act of 1992
- IAPMO/UPC
- NSF 61








COLORS/FINISHES

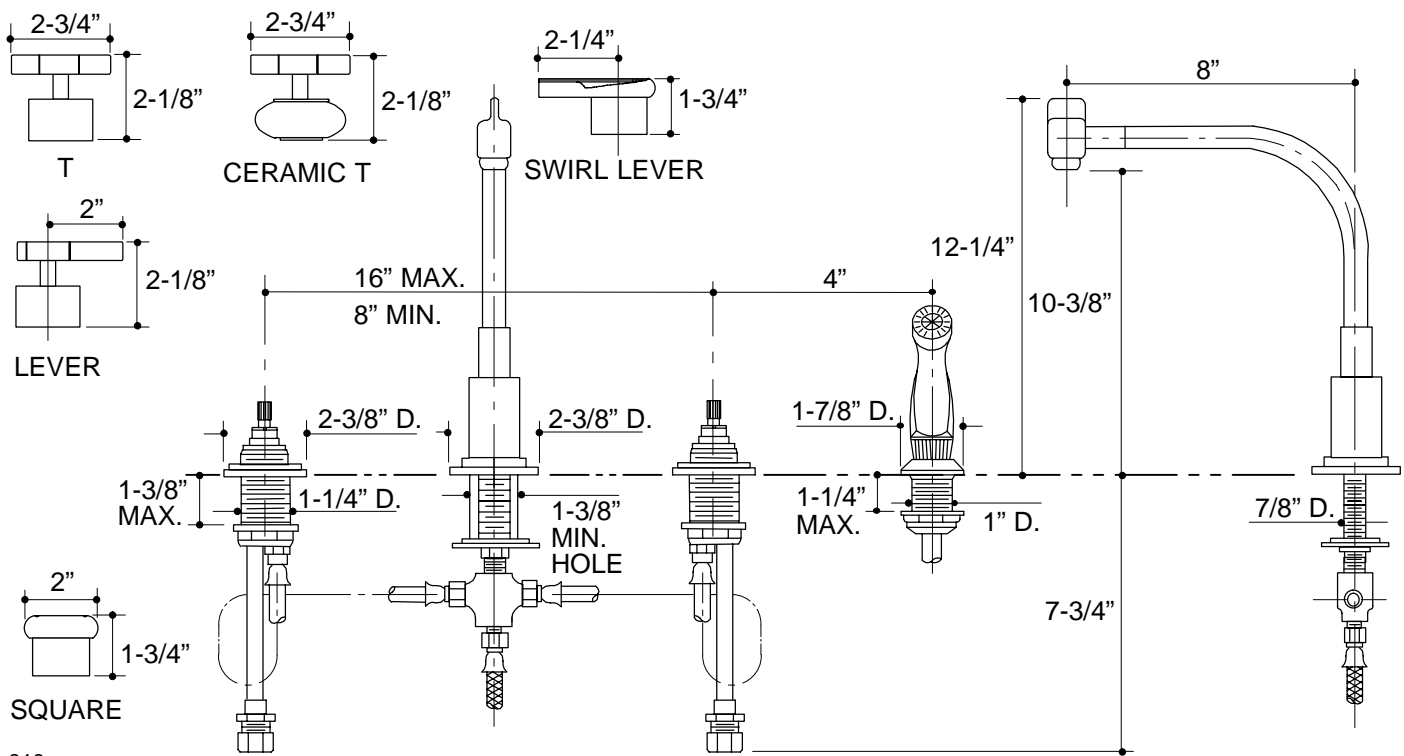
- CP Polished Chrome
- PB Polished Brass

SPECIFIED MODEL: For complete faucet, both base faucet and handle choice must be specified.

Model	Description		
K-8220-K	Taboret Kitchen Sink Base Faucet	<input type="checkbox"/> CP	<input type="checkbox"/> PB

Required Accessory (Includes Two Handles)			 ADA	 ADA	 ADA	 ADA
K-16070-2	Square Handles	<input type="checkbox"/> CP <input type="checkbox"/> PB				
K-16070-4	Lever Handles		<input type="checkbox"/> CP <input type="checkbox"/> PB			
K-16070-4A	Swirl Lever Handles			<input type="checkbox"/> CP <input type="checkbox"/> PB		
K-16070-4C	Vandal-Resistant Lever Handles and Aerator		<input type="checkbox"/> CP			
K-16070-6	T-Handles				<input type="checkbox"/> CP <input type="checkbox"/> PB	
K-16070-6C	Vandal-Resistant T-Handles and Aerator				<input type="checkbox"/> CP	
K-16076-6P	Islander™ Ceramic, CP Trim					<input type="checkbox"/> NA
K-16077-6P	Islander™ Ceramic, PB Trim					<input type="checkbox"/> NA

PRODUCT SPECIFICATION:
Two-handle kitchen sink base faucet shall be of brass construction. Faucet shall feature brass valve bodies. Faucet shall feature quarter-turn washerless ceramic disc valves, assuring positive handle stop positioning. Product shall include flexible connections, 8" Multi-Swivel swing spout, rotating aerator, and white handspray. Faucet shall be Kohler Model K-8220-K-_____ and handles shall be Kohler Model K-_____-_____-_____.



316

PRODUCT DIAGRAM