

### Ordering Information

Applicable bath and shower trim only:	
Square handle*	K-T8224-2
Lever handle*	K-T8224-4
Swirl lever handle*	K-T8224-4A
Applicable shower trim only:	
Square handle*	K-T8226-2
Lever handle	K-T8226-4
Swirl lever handle	K-T8226-4A
Applicable valve trim only:	
Square handle*	K-T8228-2
Lever handle*	K-T8228-4
Swirl lever handle*	K-T8228-4A
*Rite-Temp valve must be ordered to complete faucet.	

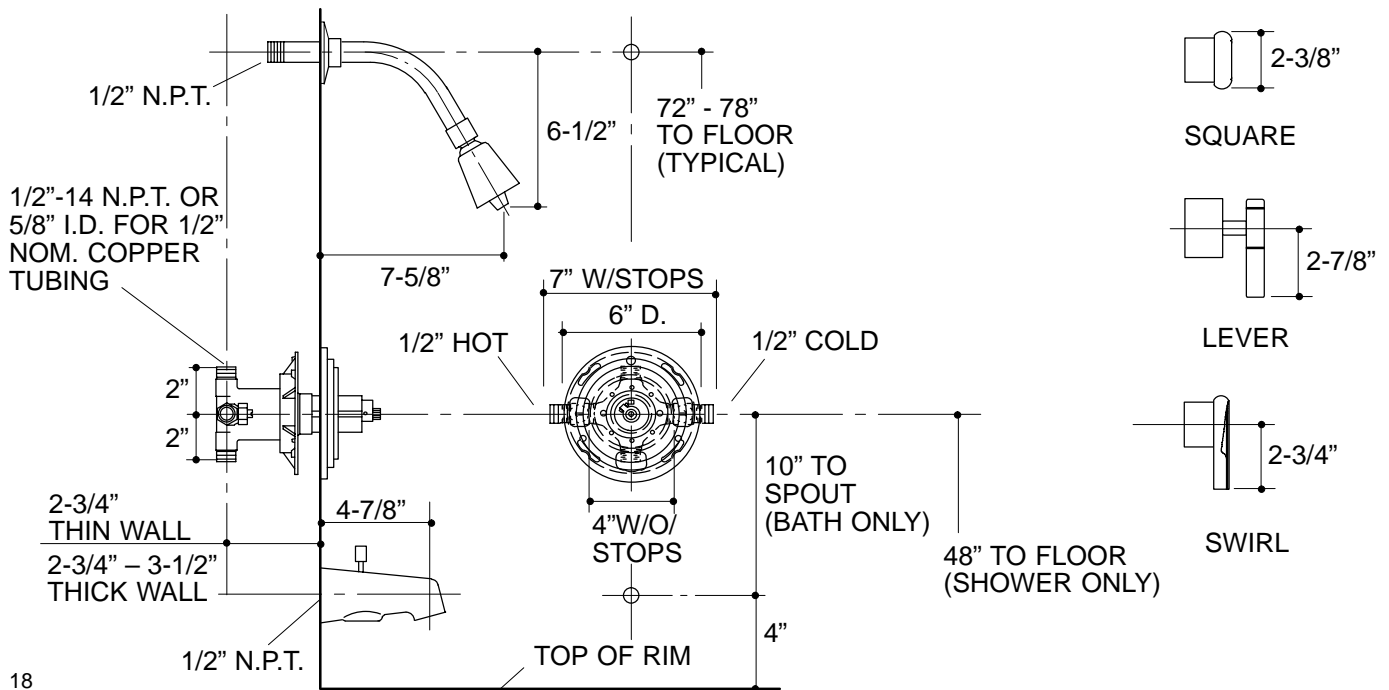
Applicable Rite-Temp valve only:		
Rite-Temp valve without stops	K-304-K	required**
Rite-Temp valve with stops	K-304-KS	required**
**Required for configuration illustrated.		
<b>ADA</b> Lever handle is ADA compliant		

### Installation Notes

Avoid cross-flow conditions. Do not install shut-off device on either valve outlet.

Cap shower outlet if deck-mount spout, diverter, or handshower is connected to spout outlet.

Install straight pipe or tube drop of 7 to 18" with single elbow between valve and wall-mount spout.



18