

**BATH FAUCET TRIM**  
**K-T8238**  
**ALSO K-300-K**

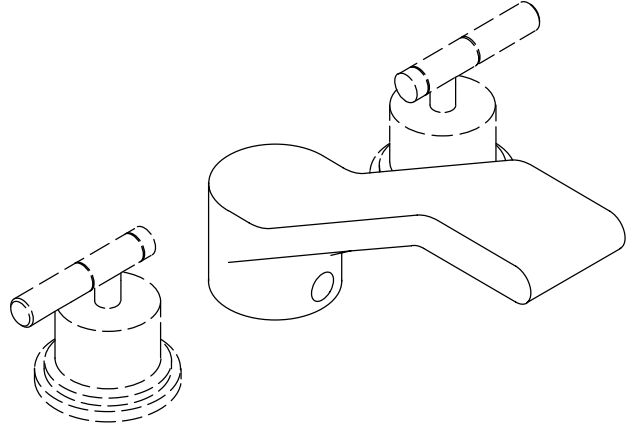
**FEATURES**

- Brass construction
- Bath-mount
- 6" bullnose non-diverter spout with slip-fit connection
- Variety of handle style options

**CODES/STANDARDS APPLICABLE**

Specified model meets or exceeds the following:





- ASME/ANSI A112.18.1M
- CSA B125

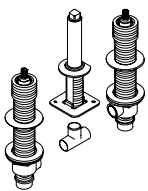


**COLORS/FINISHES**

- CP Polished Chrome
- PB Polished Brass
- Other Refer to Faucets Price Book for additional finishes

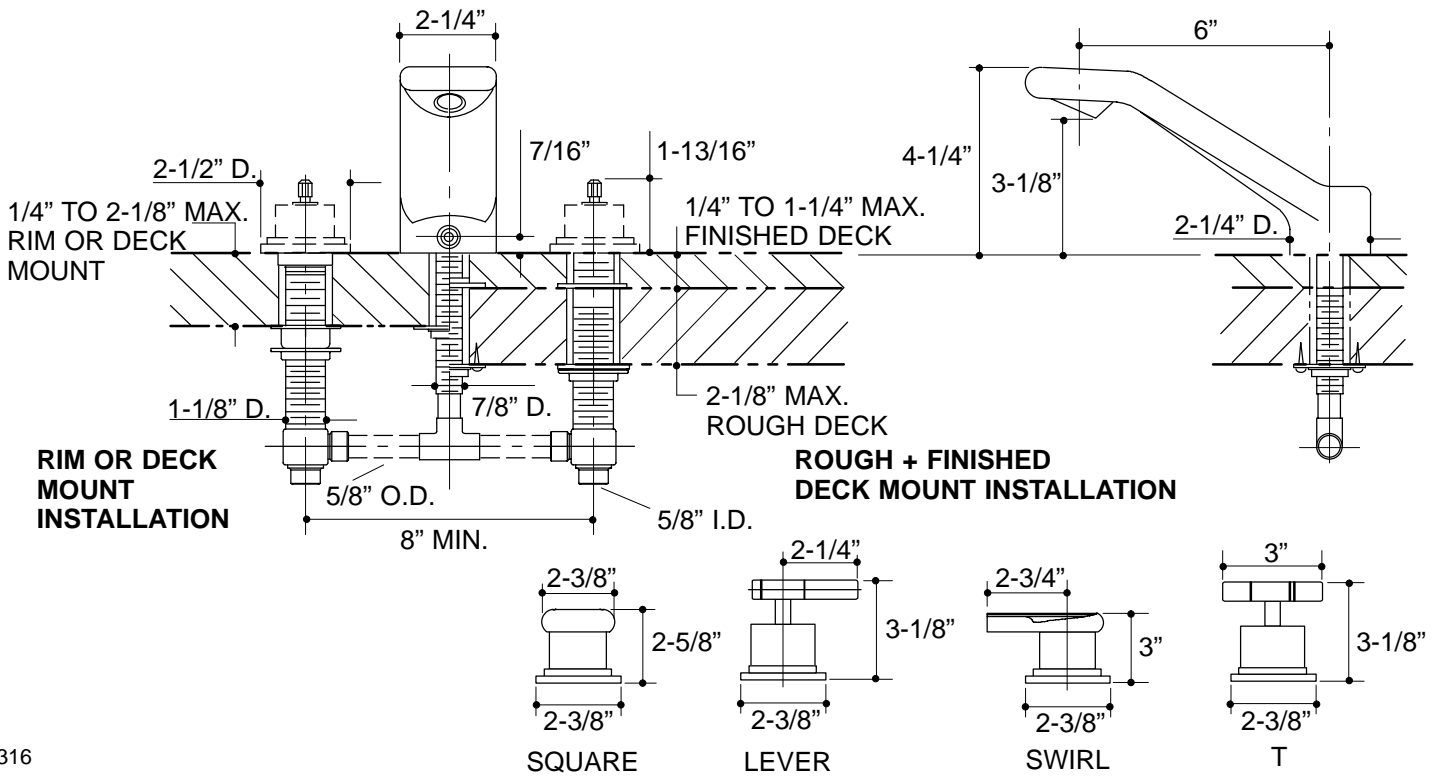
**SPECIFIED MODEL:** For complete faucet, both faucet trim and valve system must be specified.

Model	Description				
K-T8238-2	With Square Handles	<input type="checkbox"/> CP <input type="checkbox"/> PB			
K-T8238-4	With Lever Handles		<input type="checkbox"/> CP <input type="checkbox"/> PB <input type="checkbox"/> Other_____		
K-T8238-4A	With Swirl Lever Handles			<input type="checkbox"/> CP <input type="checkbox"/> PB	
K-T8238-6	With T-Handles				<input type="checkbox"/> CP <input type="checkbox"/> PB <input type="checkbox"/> Other_____

<b>Required Accessory</b>	
K-300-K	1/2" High-Flow Ceramic Disc Valve System <input type="checkbox"/> NA

**PRODUCT SPECIFICATION:**  
Two-handle high-flow bath-mount bath faucet trim shall be of brass construction. Product shall include 6" bullnose non-diverter spout with slip-fit connection, and handles. Faucet trim shall be Kohler Model K-T8238-\_\_\_\_\_-\_\_\_\_\_-\_\_\_\_\_- and valve system shall be K-300-K-NA.

# TABORET®



316

## PRODUCT DIAGRAM