

BATH FAUCET TRIM
K-T8230
ALSO K-300-K

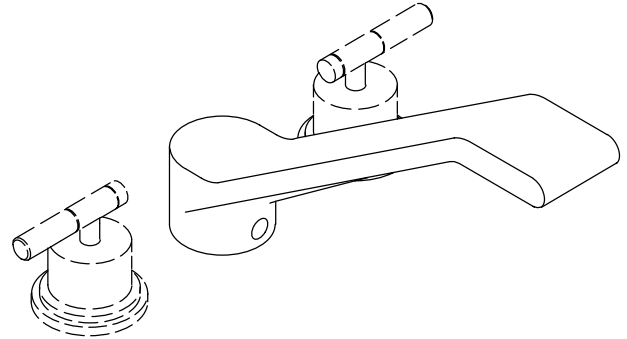
FEATURES

- Brass construction
- Deck-mount
- 9-5/8" bullnose non-diverter spout with slip-fit connection
- Variety of handle style options

CODES/STANDARDS APPLICABLE

Specified model meets or exceeds the following:




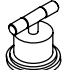
- ASME/ANSI A112.18.1M
- CSA B125
- IAPMO/UPC

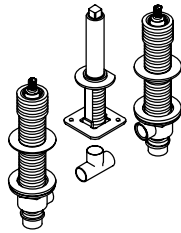


COLORS/FINISHES

- CP Polished Chrome
- PB Polished Brass
- Other Refer to Faucets Price Book for additional finishes

SPECIFIED MODEL: For complete faucet, both faucet trim and base valve must be specified.

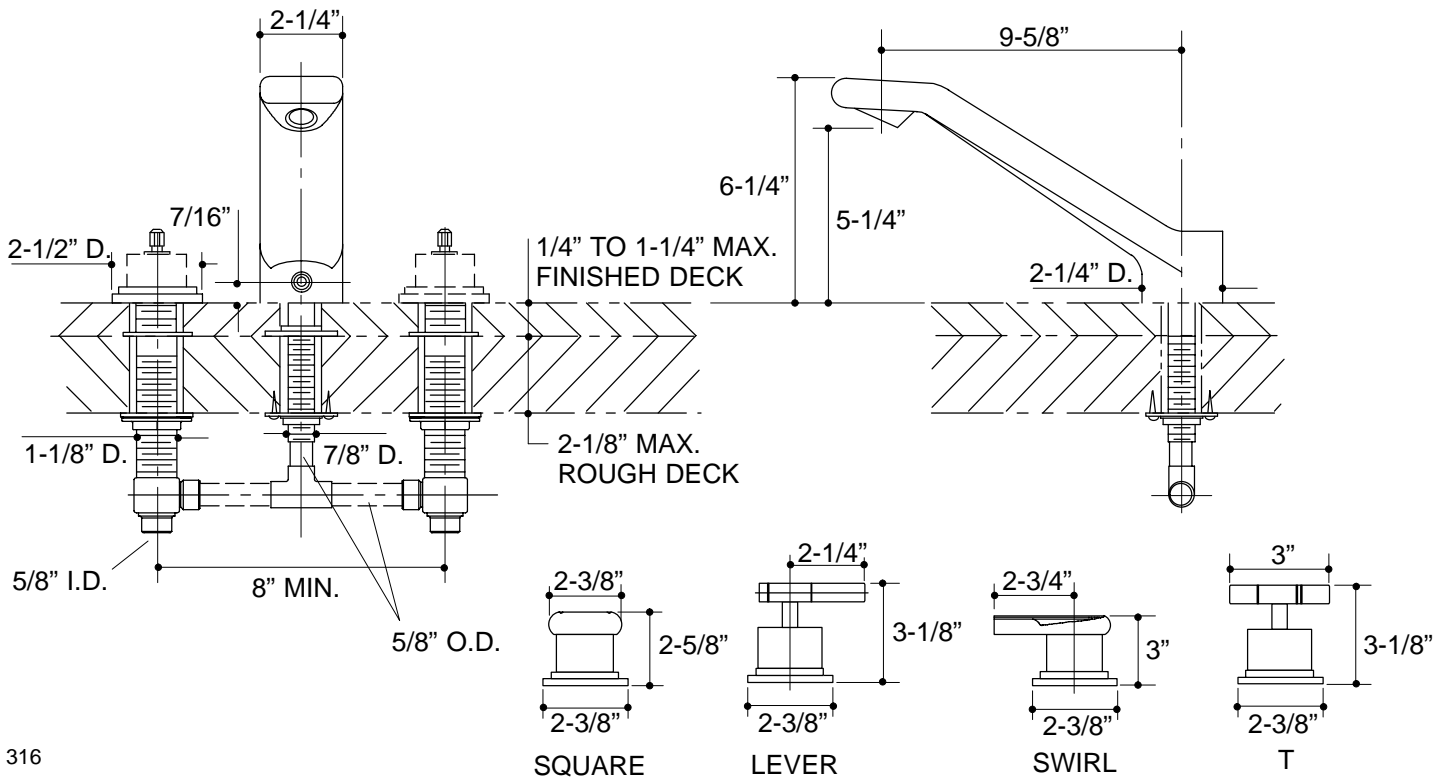
Model	Description			ADA		ADA		ADA
K-T8230-2	With Square Handles	<input type="checkbox"/> CP <input type="checkbox"/> PB						
K-T8230-4	With Lever Handles		<input type="checkbox"/> CP <input type="checkbox"/> PB <input type="checkbox"/> Other_____					
K-T8230-4A	With Swirl Lever Handles				<input type="checkbox"/> CP <input type="checkbox"/> PB			
K-T8230-6	With T-Handles						<input type="checkbox"/> CP <input type="checkbox"/> PB <input type="checkbox"/> Other_____	

Required Accessory		
K-300-K	1/2" High-Flow Ceramic Disc Valve System	<input type="checkbox"/> NA

PRODUCT SPECIFICATION:

Two-handle deck-mount high-flow bath faucet trim shall be of brass construction. Product shall include 9-5/8" bullnose non-diverter spout with slip-fit connection, and handles. Faucet trim shall be Kohler Model K-T8230-_____-_____- and valve system shall be Kohler Model K-300-K-NA.

TABORET®



316

PRODUCT DIAGRAM