

FEATURES

- 12" rough-in
- Vitreous china
- Elongated bowl
- Equipped with Sloan Flushmate™ – Sloan Valve Company
- 1.6 gpf
- Includes polished chrome trip lever
- Combination toilet
- 17-1/2" high bowl is ADA compliant
- Less seat and supply
- With bedpan lugs (-L) or tank cover locks (-T)
- With right-hand trip lever (-RA)

CODES/STANDARDS APPLICABLE

Specified model meets or exceeds the following:

- ADA
- ASME/ANSI A112.19.2M
- ASME/ANSI A112.19.6M
- CABO/ANSI A117.1
- Energy Policy Act of 1992 (EPACT)
- IAPMO/UPC
- Canadian Standards Association (CSA)
- States of Massachusetts, New York, & Texas
- Cities of Los Angeles, CA

COLORS/FINISHES

- 0 White
- Other Refer to Fixtures Price Book for additional colors

Accessories:

- 0 White
- CP Polished Chrome
- PB Polished Brass
- Other Refer to Price Book for additional colors

SPECIFIED MODEL:

Model	Description	Colors/Finishes	
K-3544	Elongated bowl toilet (left hand trip lever)	<input type="checkbox"/> 0 White	<input type="checkbox"/> Other_____
K-3544-T	Toilet with tank cover locks (left hand trip lever)	<input type="checkbox"/> 0 White	<input type="checkbox"/> Other_____
K-4413 & K-4324-L	Toilet with bed pan lugs (left hand trip lever)	<input type="checkbox"/> 0 White	<input type="checkbox"/> Other_____
K-3544-RA	Elongated bowl toilet (right hand trip lever)	<input type="checkbox"/> 0 White	<input type="checkbox"/> Other_____
K-3544-TR	Toilet with tank cover locks (right hand trip lever)	<input type="checkbox"/> 0 White	<input type="checkbox"/> Other_____
K-4413-RA & K-4324-L	Toilet with bed pan lugs (right hand trip lever)	<input type="checkbox"/> 0 White	<input type="checkbox"/> Other_____

Recommended Accessories

K-4652	Lustra™ seat with cover	<input type="checkbox"/> 0 White	<input type="checkbox"/> Other_____
K-4652-A	Lustra™ seat with cover (includes anti-microbial agent)	<input type="checkbox"/> 0 White	
K-4653	French Curve™ seat with cover	<input type="checkbox"/> 0 White	<input type="checkbox"/> Other_____
K-7637	Angle supply with stop	<input type="checkbox"/> CP	<input type="checkbox"/> PB <input type="checkbox"/> Other_____

Optional Accessories

K-9436-L	Trip lever, left-hand (non-CP)	<input type="checkbox"/> PB	<input type="checkbox"/> Other_____
K-9436-R	Trip lever, right-hand (non-CP)	<input type="checkbox"/> PB	

PRODUCT SPECIFICATION:

The elongated combination toilet shall be 12" rough-in equipped with Sloan Flushmate™ – Sloan Valve Company. Toilet shall be made of vitreous china. Toilet shall be 1.6 gpf. Toilet shall include polished chrome trip lever. Toilet shall be ADA compliant with 17-1/2" high bowl. Toilet shall be less seat and supply. Toilet shall have bedpan lugs (-L). Toilet shall have right-hand trip lever (-RA). Toilet shall have tank cover locks (-T). Toilet shall be Kohler Model K-3544-_____-_____.

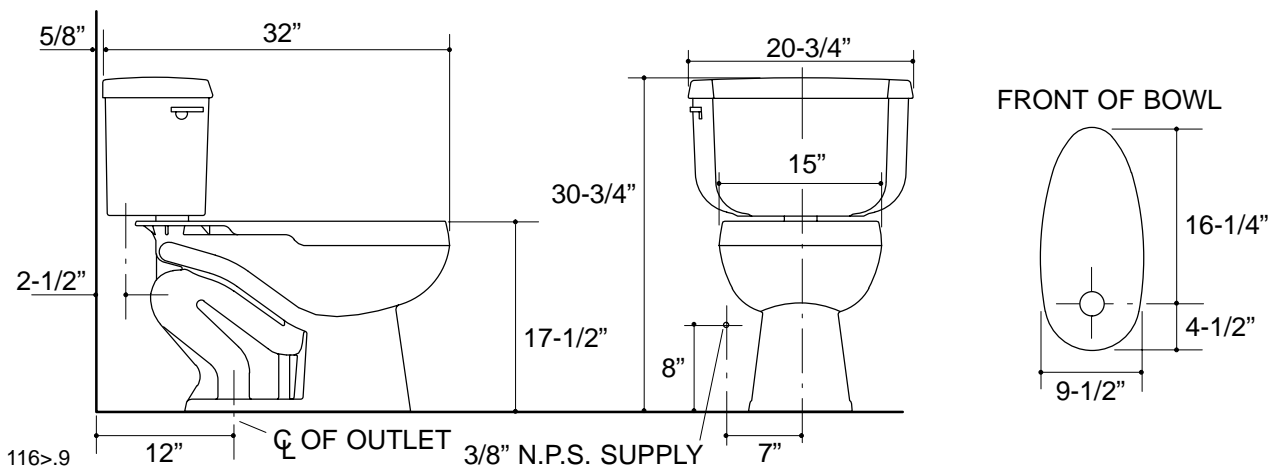
PRODUCT INFORMATION

ADA compliant.	
Fixture:	
Configuration	2-piece, elongated
Gallons per flush	1.6 gallons
Passageway	2-1/4"
Water depth from rim	7"
Seat post hole centers	5-1/2"
Minimum static pressure required	20 p.s.i.
Maximum static pressure	80 p.s.i.
Included Components*:	
Bowl	K-4324
Tank	K-4413
Tank cover	81449
Bolt cap accessory pack	52048
Tank accessory pack	73062
Trip lever, left hand	K-9436-L
Trip lever, right hand	K-9436-R
*Equipped with Sloan Flushmate™ – Sloan Valve Company	

Roughing-In Notes

For back to back installations, the toilet shall be connected to the vertical stack using one of the three following fittings:

- A double fixture fitting.
- A double combination wye and 1/8 bends.
- A double wye and 1/8 bends.



PRODUCT DIAGRAM