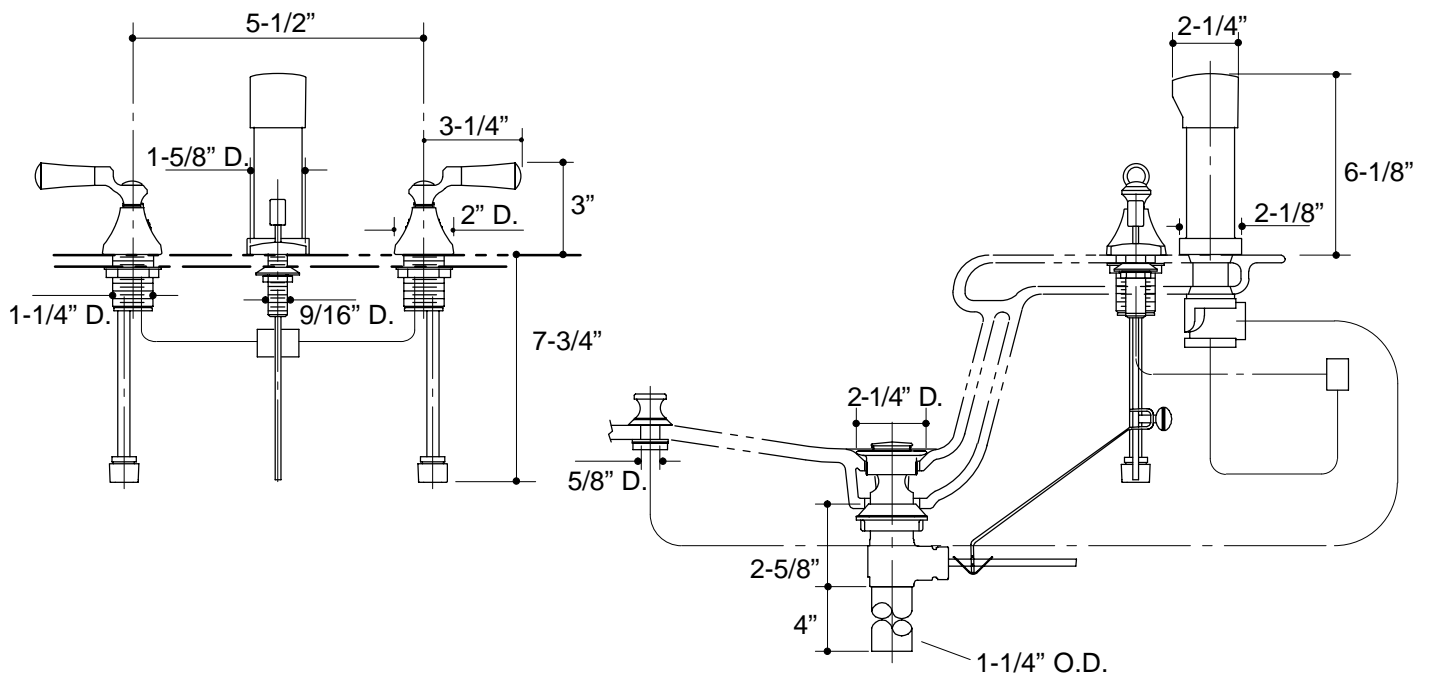


Ordering Information

Applicable faucet:	
With lever handles	K-6221-4
ADA Lever handles are ADA compliant	



1.25>18

K-6221-4 Flair™ Bidet Faucet
 113116-1-CA (9619)

NOTES: