

**BIDET FAUCET  
K-6221-4**

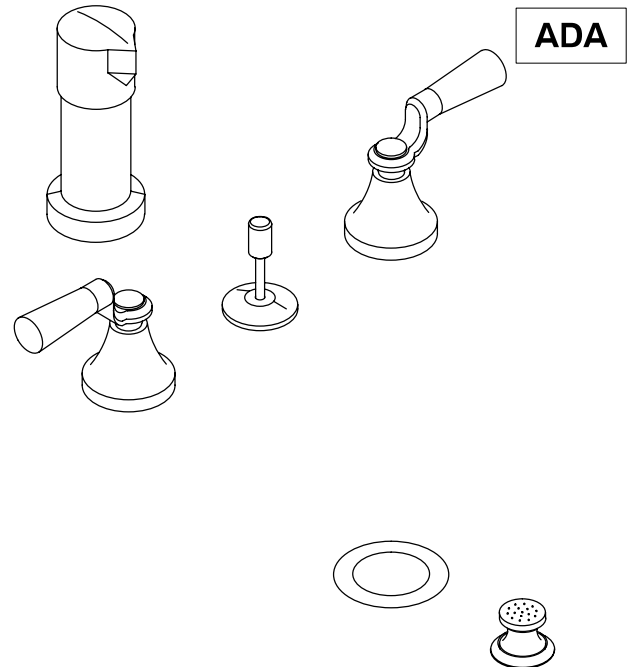
**FEATURES**

- Brass construction
- Flexible connections
- Brass valve bodies
- Quarter-turn washerless ceramic disc valves
- Pop-up drain with lift rod and tailpiece
- Lever handles with clear acrylic inserts
- Vertical spray
- Fixture-mount transfer valve/vacuum breaker

**CODES/STANDARDS APPLICABLE**

Specified model meets or exceeds the following:

- ASME/ANSI A112.18.1M
- CSA B125
- IAPMO/UPC
- Listed in the State of Michigan



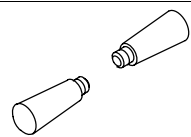
**COLORS/FINISHES**

- CP Polished Chrome
- PB Polished Brass

**SPECIFIED MODEL:**

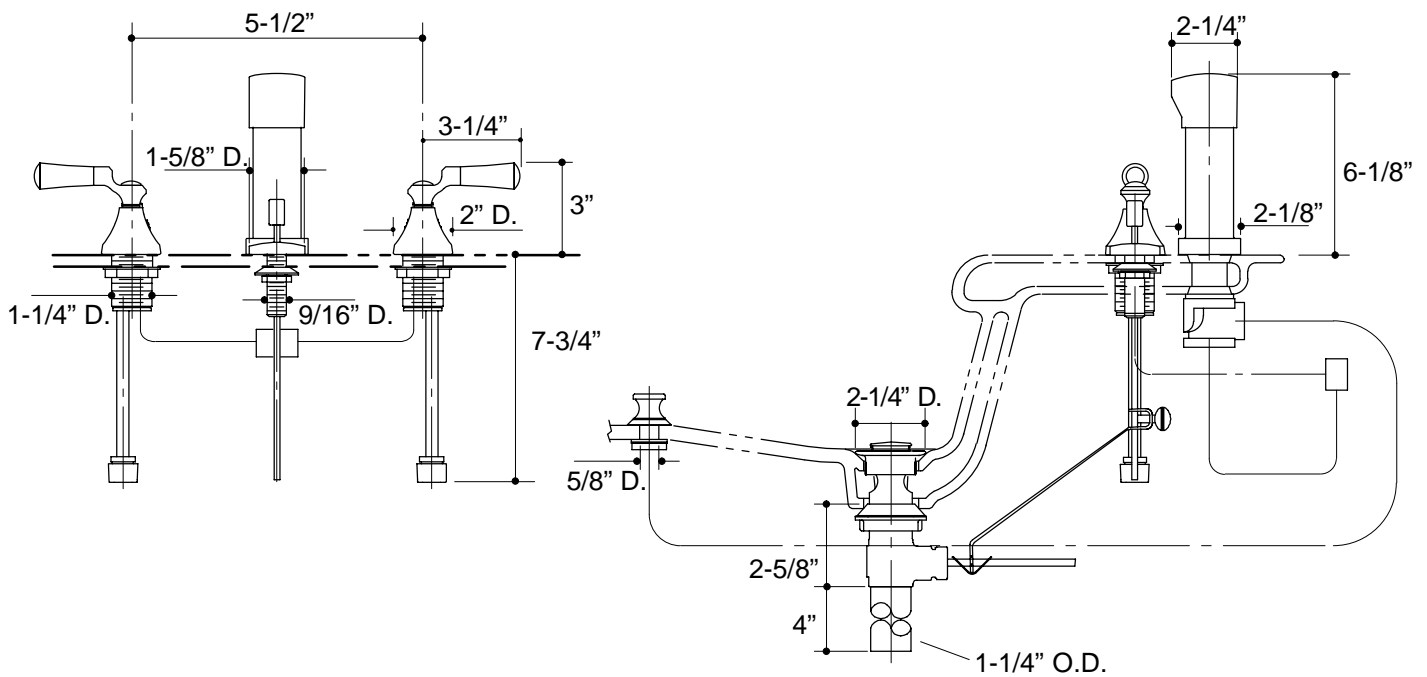
Model	Description		
K-6221-4	Flair Bidet Faucet	<input type="checkbox"/> CP	<input type="checkbox"/> PB

Optional Accessory				
K-7266	Lever Handle Inserts, Pair	<input type="checkbox"/> CP	<input type="checkbox"/> PB	<input type="checkbox"/> Other_____



**PRODUCT SPECIFICATION:**

Two-handle bidet faucet shall be of brass construction. Faucet shall feature brass valve bodies. Faucet shall feature quarter-turn washerless ceramic disc valves, assuring positive handle stop positioning. Product shall include flexible connections, pop-up drain with lift rod and tailpiece, lever handles with clear acrylic inserts, and vertical spray. Faucet shall be Kohler Model K-6221-4-\_\_\_\_\_.



1.25>18

PRODUCT DIAGRAM