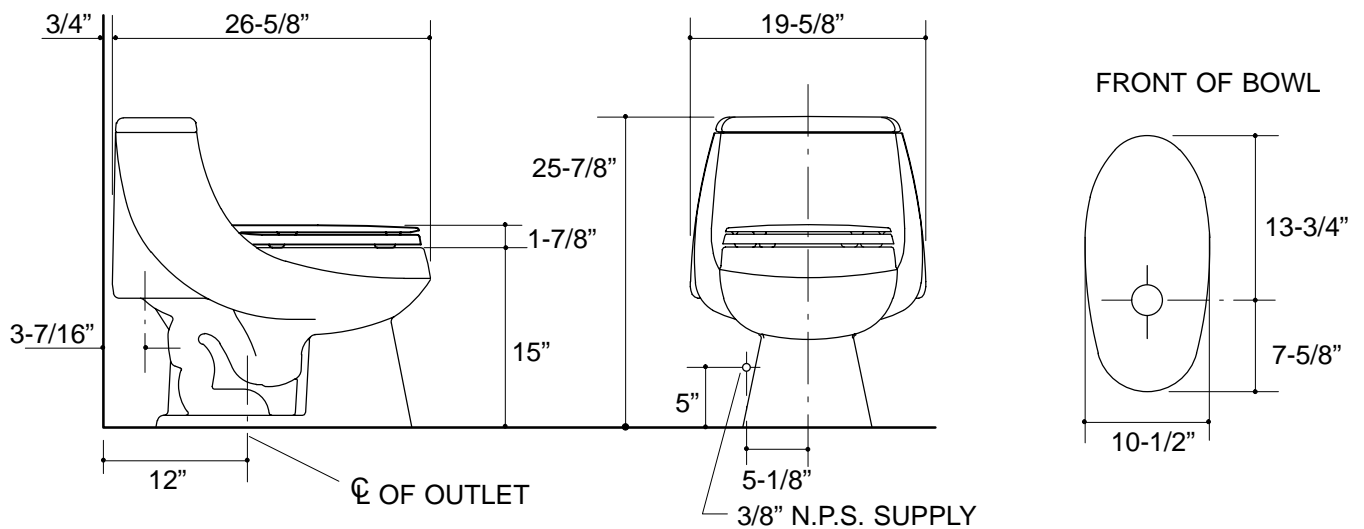


Ordering Information

Accessories/hardware:		
3/8" supply	K-7637	recommended
Floor bolts (pr.)	21401	recommended

Product Information

Fixture:	
Configuration	1-piece, round front
Gallons per flush	1.6 gallons
Passageway	2"
Water depth from rim	6-7/8"
Seat post hole centers	5-1/2"
Included Components:	
Seat	93229
Tank cover	83693
Bolt cap accessory pack	52048
Tank accessory pack	52265
Peacekeeper assembly	81764



Roughing-In Notes
 Fixture dimensions are nominal and conform to tolerances in ASME Standard A112.19.2M.