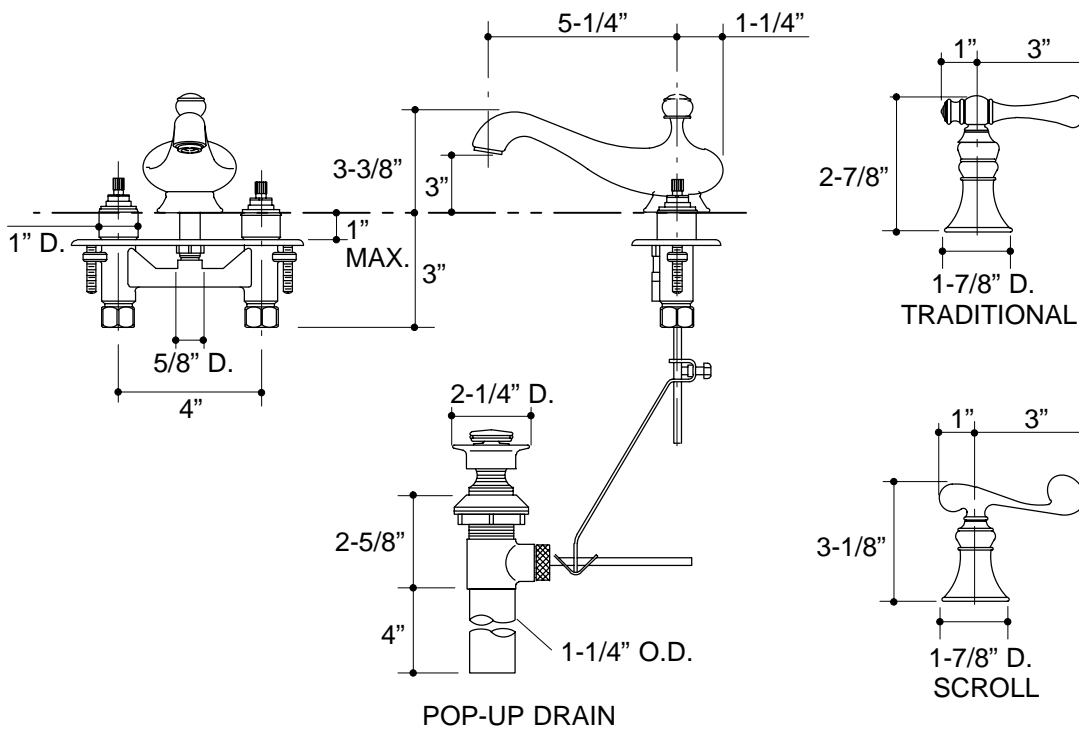


Ordering Information

Applicable faucet:	
With scroll handle	K-16101-4
With traditional handle	K-16101-4A
ADA Traditional and scroll lever handles are ADA compliant	



316

K-16101 Revival™ Lavatory Faucet
113285-1-CA (9619)

KOHLER®

NOTES: