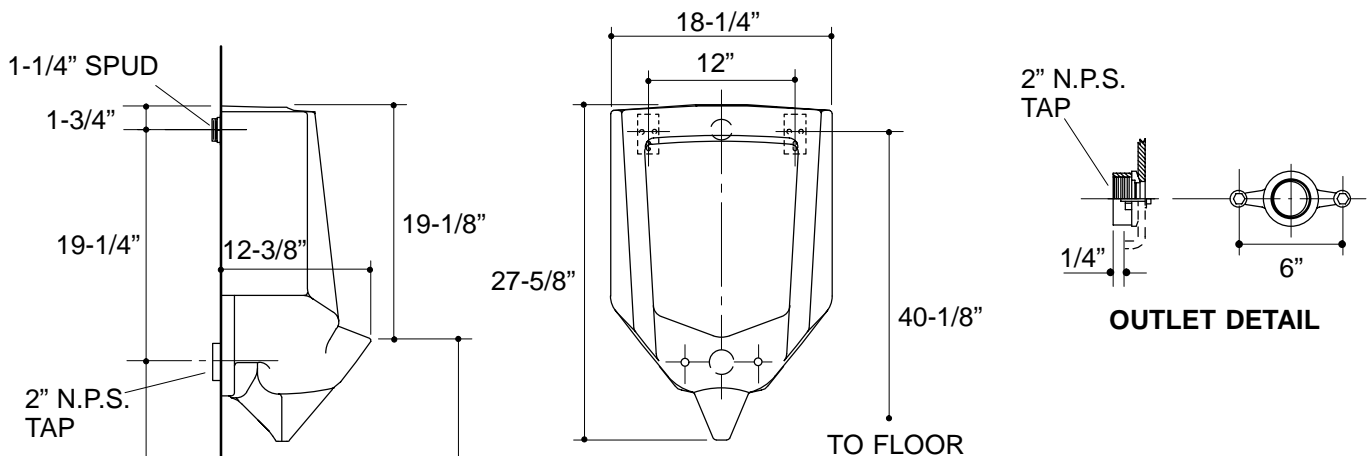


Ordering Information

| | | |
|-----------------------|-------|----------|
| Accessories/hardware: | | |
| 3" outlet spud | 18773 | optional |
| Strainer | 18752 | optional |
| Replacement spud | 18763 | optional |

Product Information

| | |
|---|-----------|
| ADA compliant. | |
| Fixture: | |
| Configuration | Rear spud |
| Gallons per flush | 1 gallon* |
| Spud inlet size | 1-1/4" |
| Minimum running pressure required | 25 p.s.i. |
| *Designed to flush with one gallon of water when installed with a water saving flush valve. | |
| Included Components: | |
| 1-1/4" inlet spud | 18759 |
| 2" outlet spud | 18766 |
| Hanger (2 required) | 64512 |
| 5/8" drain plug | 21403 |
| Flush valve requirements: Refer to manufacturer's instructions and local codes. | |



| |
|---|
| Roughing-In Notes |
| Fixture dimensions are nominal and conform to tolerances in ANSI Standard A112.19.2. |
| Roughing-in remains the same when using the optional 3" outlet spud 18773. |
| *Urinal complies with ADA requirement when rim is mounted no higher than 17" from finished floor. |

1.25>116