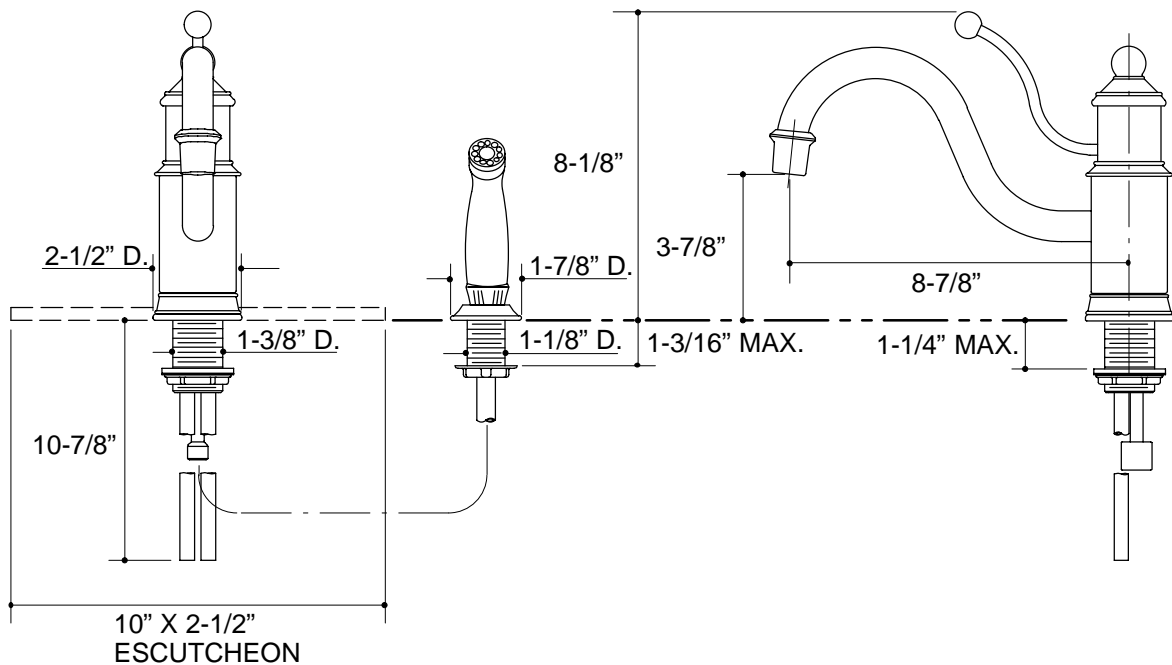


Ordering Information

Applicable faucet:	
Less spray	K-168
With spray	K-169
With escutcheon plate	K-170
With spray and escutcheon plate	K-171
Accessories/hardware:	
Escutcheon plate	K-166
ADA Lever handle is ADA compliant	



14>.65

K-168, K-169, K-170, K-171 Antique™ Sink Faucet
 113346-1-BA (9619)

NOTES: